

MODEL AO2053A
SPEED INCREASER

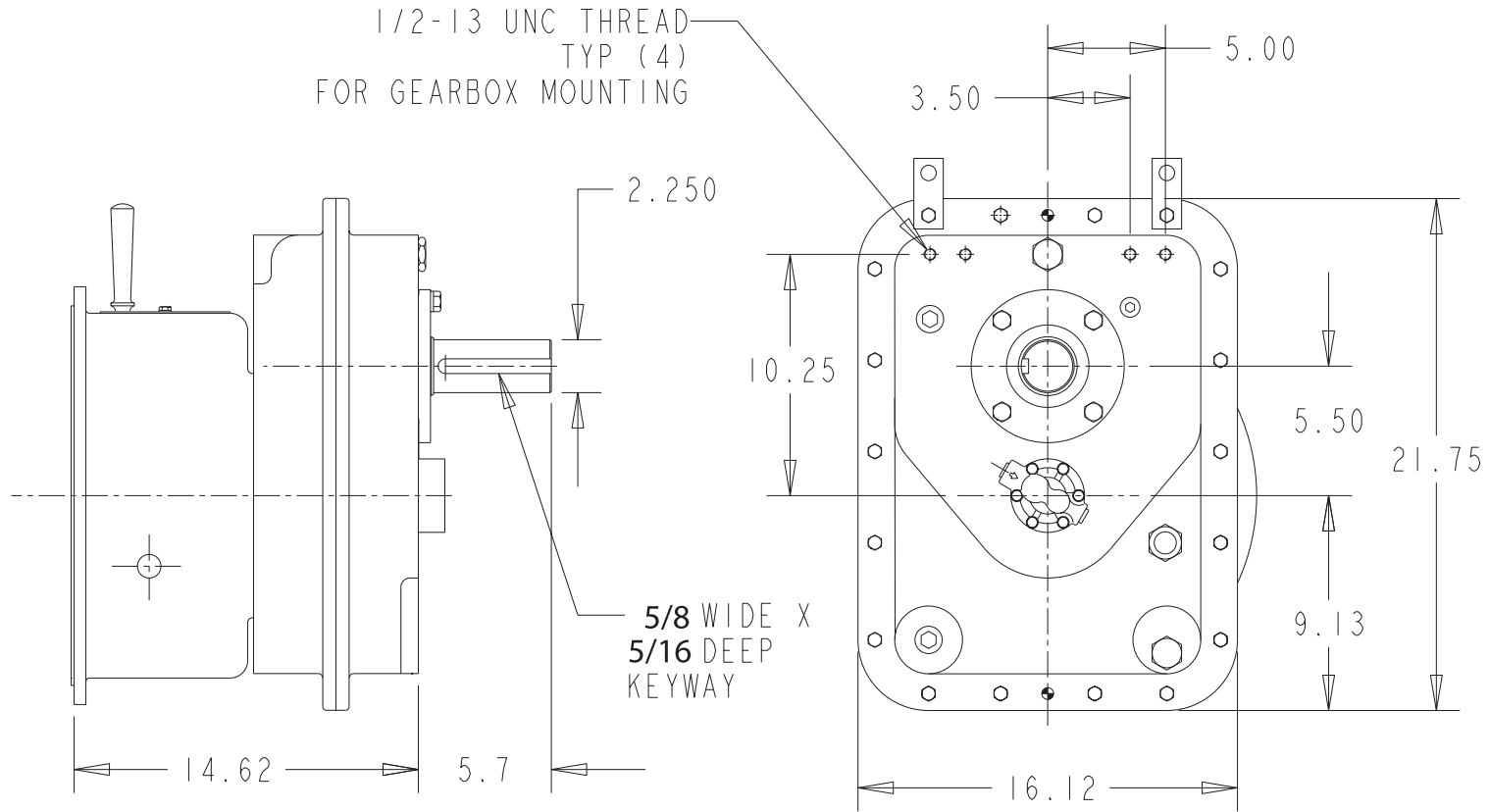
Model AO2053A is a heavy duty unit mounted speed increaser having anti-engine rotation. It is available with a variety of input bell housings to fit the different engines. A wide range of ratios are offered. The gears are helical, carburized and are designed per AGMA specifications. The bearings are tapered roller. The case is cast iron.

CAPACITY:	650 lb. ft.
MAXIMUM INPUT SPEED:	3000 RPM
MAXIMUM OUTPUT SPEED:	4500 RPM
RATIOS: (STANDARD)	1.55, 2.0 1.40, 1.80, 2.50, 3.00
BELL HOUSINGS:	SAE #1, #2, #3, #4
CLUTCH SIZES:	C110, SP111, SP211, SP114
OUTPUT SHAFT:	2.250 diameter x 5" long, 5/8 x 5/16 keyway. Output shaft located above the input shaft at 12 o'clock.
REAR SUPPORT:	4 Holes 1/2-13 on rear cover for customer support plate
LUBRICATION:	Splash ISO Grade 68, AGMA #2
WEIGHT:	400 lbs

07/31/03

MODEL AO2053A
SPEED INCREASER

OUTPUT CAN BE ORIENTED
AT 6 OR 12 O'CLOCK POSITION



DO NOT USE DIMENSIONS ON THIS DRAWING FOR
INSTALLATIONS, USE CERTIFIED PRINT PROVIDED
WITH ORDERS.