

**MODEL GO1700A**  
**SPEED INCREASER**

Model GO1700A is a heavy duty independently mounted speed increaser having anti-engine rotation. The gears are helical, carburized and precision ground for increased strength and quiet operation. The bearings are tapered roller. The case is stress relieved, fabricated steel.

CAPACITY:	5500 ft. lbs.
MAXIMUM INPUT SPEED:	2500 RPM
MAXIMUM OUTPUT SPEED:	5500 RPM
RATIOS:	1.42, 1.67, 1.76, 1.96, 2.20, 2.48, 2.76, 3.0
INPUT HOUSINGS:	SAE #0, #00
INPUT CLUTCH:	Overcenter type clutches, rubber block drives or couplings to fit various engines.
OUTPUT SHAFT:	2.750" diameter x 6.0" long with 5/8W x 15/16D keyway.
OUTPUT SHAFT LOCATIONS:	12 o'clock- output is above input 6 o'clock- output is below input 9 o'clock- output is to left of input
LUBRICATION REQUIREMENT:	Lube pump furnished for oil spray on bearings and gears.
COOLING:	Heat exchanger furnished
ACCESSORIES FURNISHED:	Oil level sight gauge, filter, temperature/pressure switch relief valve
OPTIONS:	Stub input shaft 4.000" diameter x 6" long 1" W x 1/2D
WEIGHT:	1900 lbs

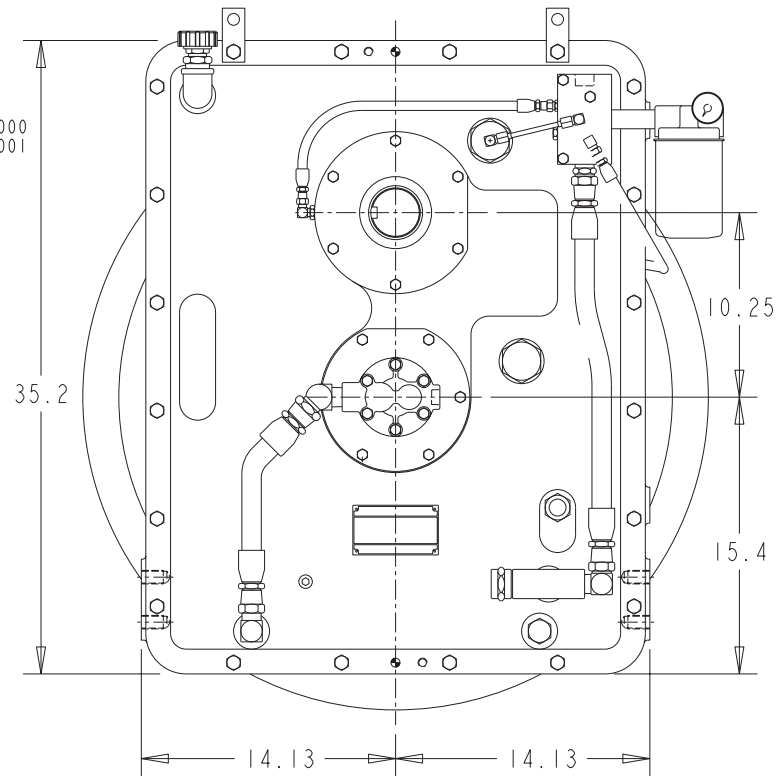
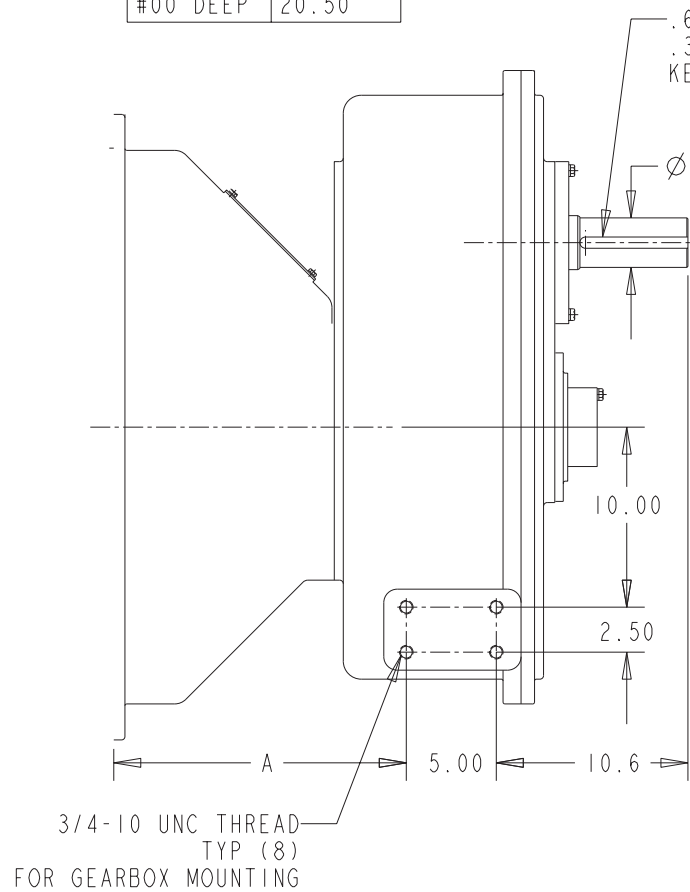
07/31/03

# MODEL GO1700A

## SPEED INCREASER

BELLHSG SAE #	DIM A
#1	15.00
#0	16.25
#0 DEEP	18.50
#00	16.25
#00 DEEP	20.50

MODEL ALSO AVAILABLE WITH OUTPUT  
AT 3, 6, OR 9 O'CLOCK POSITION  
CONTACT COTTA FOR MORE INFORMATION



DO NOT USE DIMENSIONS ON THIS DRAWING FOR  
INSTALLATIONS, USE CERTIFIED PRINT PROVIDED  
WITH ORDERS.