

Speed
Reducers

COTTA

Precision engineered for today's diesel engines..

Compact and rugged, Cotta's engine mounted speed reducers are designed to meet the demands of modern diesel engines. Choose a standard model or have one designed for your application...either way COTTA will meet the challenge.

- Pumps
- Compressors
- Generators
- Rock crushers
- Wood chippers
- Shreaders
- Dredges
- Snow blowers

SAE housings from 00 to 5 for minimum installation space. Remote mounting available.

Standard case is cast iron. For custom cases, fabricated stress relieved steel is used.

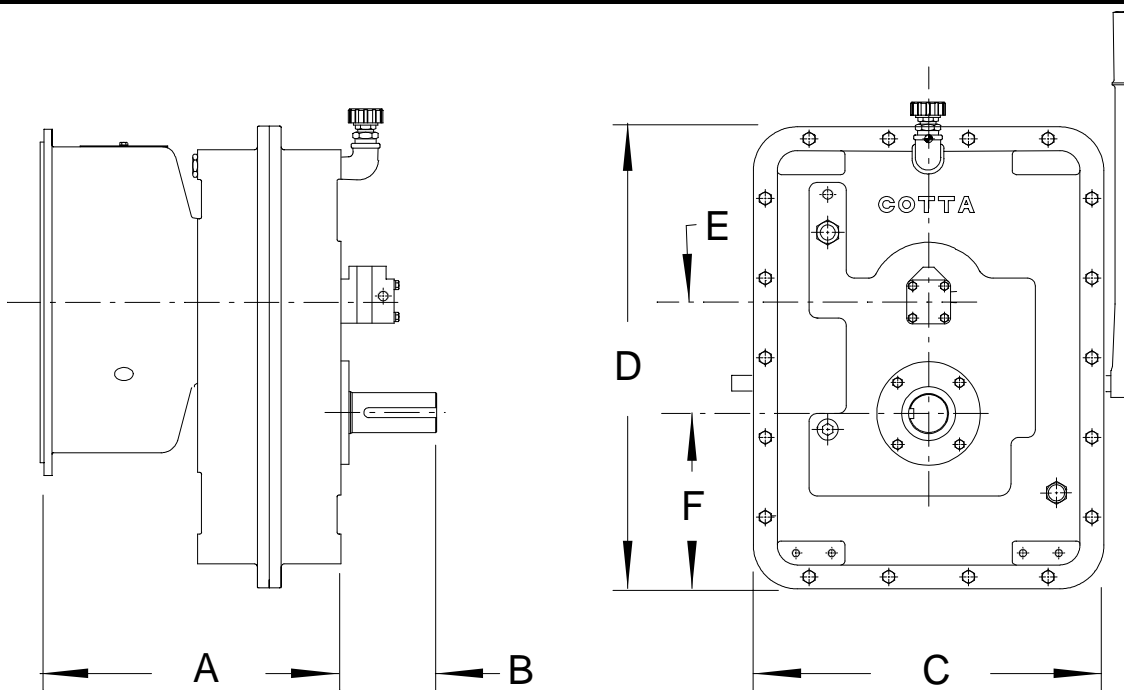
Lube pump and water/oil heat exchanger provided. Optional heat exchangers are available.

Various flywheel couplings including over center clutches, torsional couplings, drive plates, and custom.

Standard keyed stub shaft. Options include splined, extended length, flanged, or customer designed. Shaft can be 12, 6, or 9 O'clock to the input.

Cotta Transmission Company LLC - 1301 Prince Hall Drive Beloit, WI 53511-4439
Ph: 608-368-5600 Fx: 608-368-5605 email = sales@cotta.com www.cotta.com

COTTA SPEED REDUCERS



Model	Torque Capacity (lb-ft)	Ratio Range	SAE Bell Housings	Approx Weight	Shaft Dia.	Key Size	A	B	C	D	E	F
AR2053E	300 lb-ft.	1-4	<u>2</u> 3 4	415	2.25	5/8	14.62	5.67	16.12	21.75	5.5	9.12
AR2053A	500 lb-ft.	1-3.54	<u>2</u> 3 4	526	2.25	5/8	14.62	5.67	16.12	21.85	5.5	9.12
SR2E	600 lb-ft.	1-3.82	<u>1</u> 2 3	800	3.00	3/4	18.5	6.2	22.0	29.0	7.0	11.0
SR2A	800 lb-ft.	1-4	<u>1</u> 2 3	775	3.00	3/4	18.5	6.2	22.0	29.0	7.0	11.0
SR700E	650 lb-ft.	1.43-1.95	<u>1</u>	560	3.00	3/4	21.18	5.5	14.0	18.0	6.25	6.5
SR700A	650 lb-ft.	1.5-2	<u>1</u>	510	3.00	3/4	21.18	5.5	14.0	18.0	6.25	6.5
SR3E	950 lb-ft.	1.9-3.89	<u>0</u> 1 2	975	3.50	7/8	24.0	6.4	25.0	33.0	8.00	12.5
SR3A	1400 lb-ft.	1.02-3.89	<u>0</u> 1 2	940	3.50	7/8	24.0	6.4	25.0	33.0	8.00	12.5
GR15E	1450 lb-ft.	1.28-2.43	00 <u>0</u> 1/2 <u>1</u>	4330	4.00	1	25.38	5.5	21.0	23.5	9.00	8.75
GR15A	1450 lb-ft.	1.08-2.46	00 <u>0</u> 1/2 <u>1</u>	1180	4.00	1	25.38	5.5	21.0	23.5	9.00	8.75
GR16E	1650 lb-ft.	1.50-3	00 <u>0</u> 1/2 1	1530	4.00	1	28.25	9.0	25.0	25.75	10.25	9.75
GR16A	1650 lb-ft.	1.50-3	00 <u>0</u> 1/2 1	1380	4.00	1	28.25	9.0	25.0	25.75	10.25	9.75
GR1600E	2600 lb-ft.	1.28-2.5	<u>00</u> 0 1/2	1700	4.00	1	32.75	9.0	25.0	25.75	10.25	9.75
GR1600A	3000 lb-ft.	1.35-3.07	<u>00</u> 0 1/2	1600	4.00	1	32.75	9.0	25.0	25.75	10.25	9.75
GR3200E	4500 lb-ft.	1.2-3.13	<u>00</u> 0	2000	4.75	1-1/4	29.15	7.0	41.0	37.3	11.754	15.75
GR3200A	5500 lb-ft.	1.19-2.89	<u>00</u> 0	1800	4.75	1-1/4	29.15	7.0	31.0	38.0	11.754	15.75

* Underlined bell housings are standard. Chart dimension "A" is based upon this bell housing. Consult individual spec sheet for optional bell housing dimensions.

* Standard output shaft location for speed reducers is 6 O'clock to the input.

* Cotta speed reducers are designed to be driven clockwise facing the input shaft.

* Refer to individual specification sheets for speed limitations.

* All speed reducers require rear supports. Location of support holes vary. See spec sheet for specific dimensions.