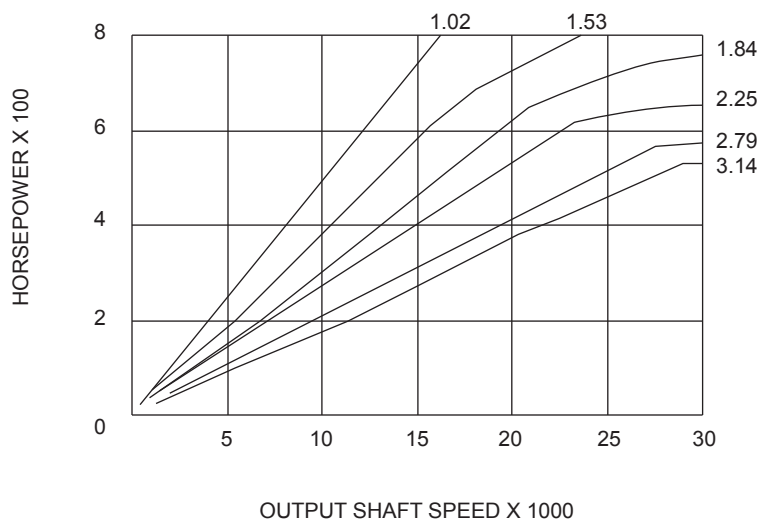


MODEL SN1659
FLEX DRIVE

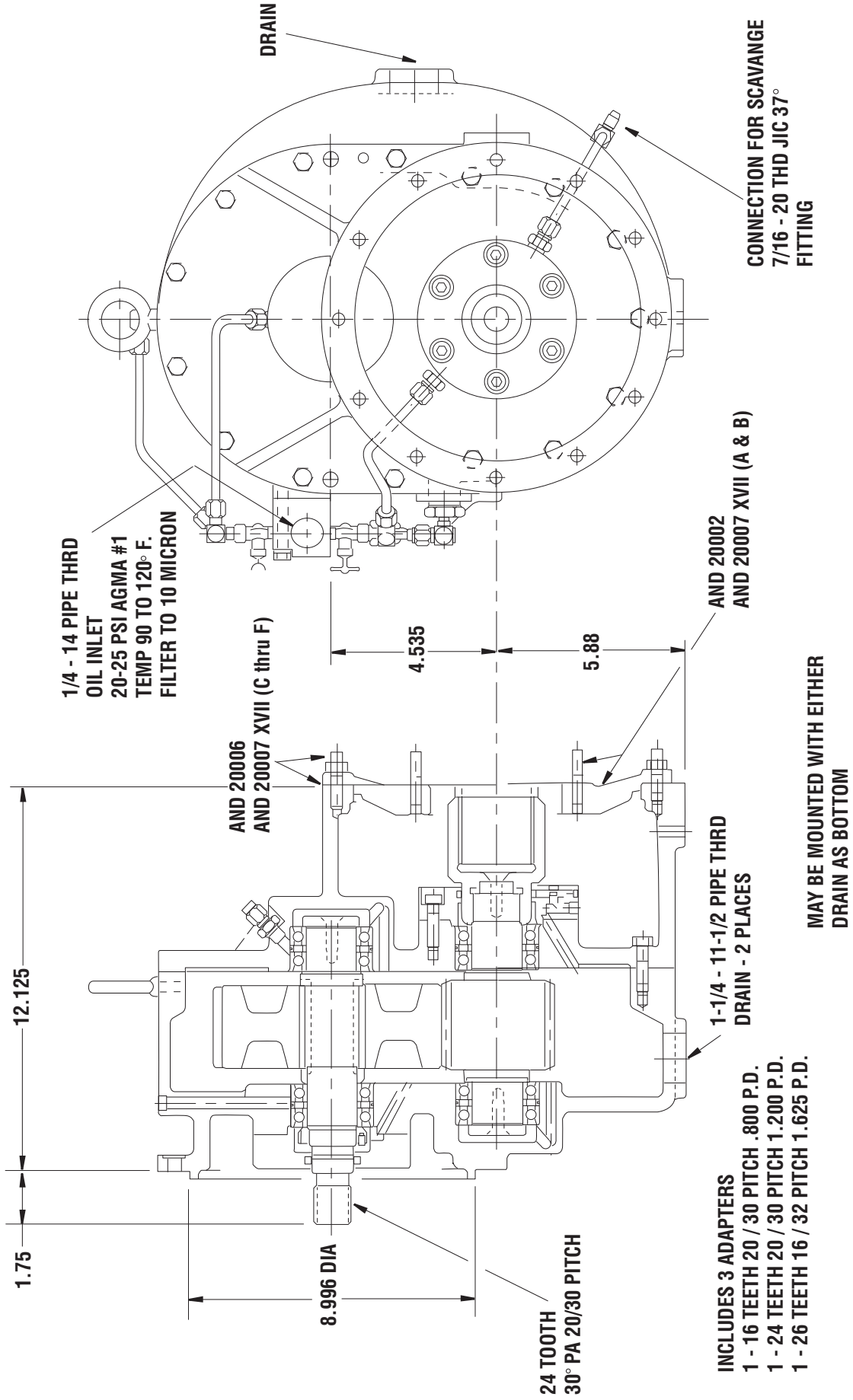
Model SN1659 is an add-on type high speed transmission that permits fast change over of speed and output pads on existing test stands.

MAXIMUM HORSEPOWER:	800
MAXIMUM OUTPUT SPEED:	30,000
OVERSPEED RATIOS:	1.53, 1.76, 1.84, 1.94, 2.25, 2.50, 2.64, 2.79, 3.14
INPUT PAD:	Will fit AND20006 XVI (A thru D)
OUTPUT PAD (Includes adapters):	AND20006, AND20002, AND20007 (Except for O ring counterbore in spline shaft on AND20007)
LUBE REQUIREMENT:	AGMA #1 or AGMA #2 lube 2 1/4 GPM at 20-25 PSI at inlet manifold, maximum temperature 120 degrees F. Requires oil scavange line for labyrinth seals (2 GPM minimum).
MOUNTING:	2 positions—output at either 6 or 9 o'clock positions in relation to input.
DIRECTION OF ROTATON:	Either direction, output is opposite to input.
WEIGHT:	325 lbs.



MODEL SN1659

FLEX DRIVE



INCLUDES 3 ADAPTERS

- 1 - 16 TEETH 20 / 30 PITCH .800 P.D.
- 1 - 24 TEETH 20 / 30 PITCH 1.200 P.D.
- 1 - 26 TEETH 16 / 32 PITCH 1.625 P.D.

DO NOT USE DIMENSIONS ON THIS DRAWING FOR INSTALLATIONS. USE CERTIFIED PRINT PROVIDED WITH ORDERS.