

**MODEL SN2057**  
**HIGH SPEED**

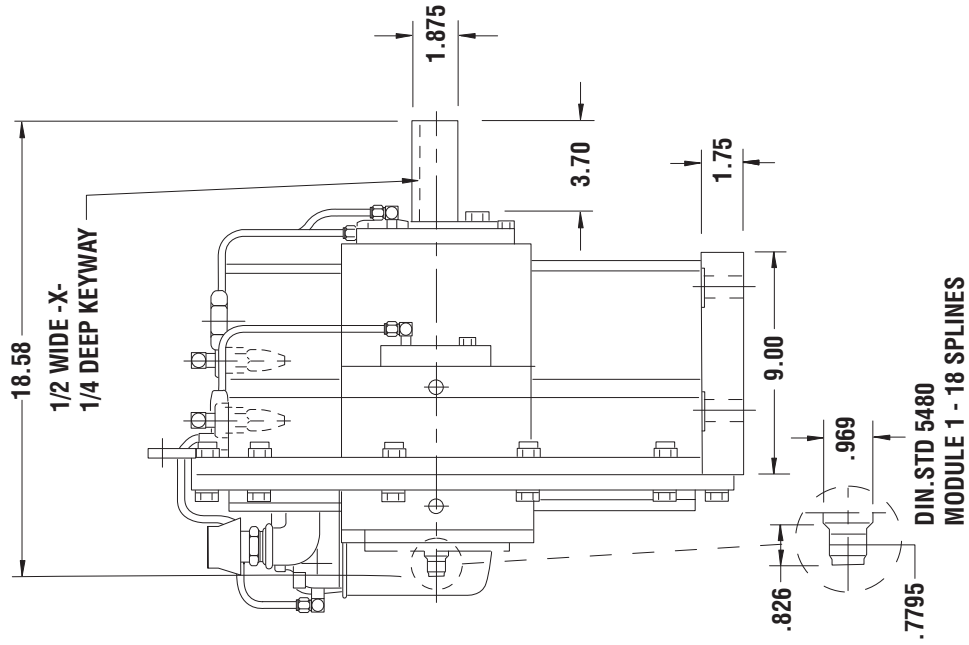
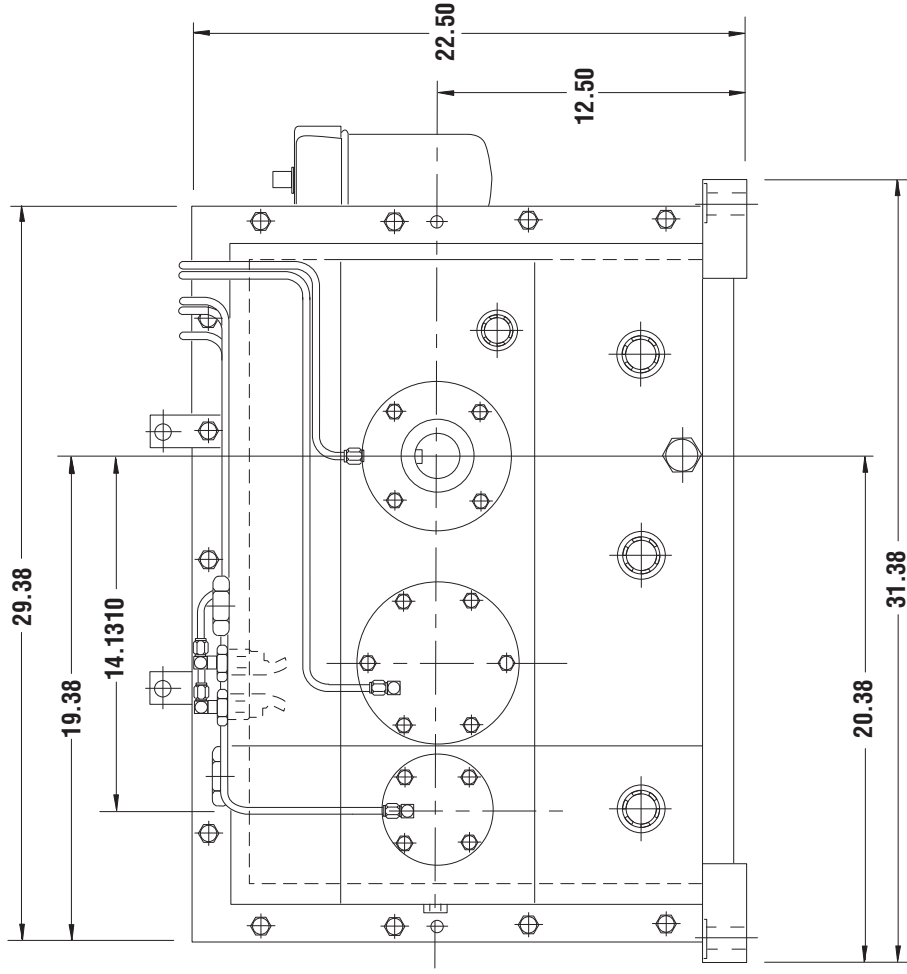
Model SN2057 is a foot mounted high speed transmission designed for test stand use. This model has a stub input shaft and output shaft. It has a double train of helical, carburized and precision ground gears. The bearings are anti-friction. The case is stress relieved fabricated steel.

<b>MAX. HORSEPOWER:</b>	350 HP
<b>MAX. OUTPUT SPEED:</b>	50,000 RPM
<b>MAX. INPUT SPEED:</b>	6,000 RPM
<b>RATIOS:</b>	8.50, 11.96 (Contact Cotta for other available ratios)
<b>INPUT SHAFT:</b>	1.875. diameter with 1/2 x 1/4 keyway
<b>OUTPUT:</b>	18 spline DIN STD 5480, 20.0 MM
<b>CENTER DISTANCE:</b>	14.131"
<b>DIRECTION OF ROTATION:</b>	Bi-rotational, output rotation is the same as input rotation
<b>ACCELERATION/DECELERATION RATE:</b>	2000 RPM/second referred to the output shaft
<b>LUBRICATION:</b>	Separate motor driven lube pump furnishing oil spray at gear meshes and bearings Filter and oil level gauge Use Velocite #10 oil Oil sump is in case
<b>COOLING:</b>	Water to oil heat exchanger with modulating water control valve
<b>ACCESSORIES:</b>	Temperature/pressure switch to signal high oil temperatures or low pressures
<b>OPTIONS:</b>	AND type output pads
<b>FINISH:</b>	Two coats grey polyurethane enamel
<b>WEIGHT:</b>	1650 lbs

Contact Cotta for final approval of all applications providing information on the prime mover, ratio, application, speed and installation requirements.

# MODEL SN2057

HIGH SPEED



DO NOT USE DIMENSIONS ON THIS DRAWING FOR INSTALLATIONS. USE CERTIFIED PRINT PROVIDED WITH ORDERS.