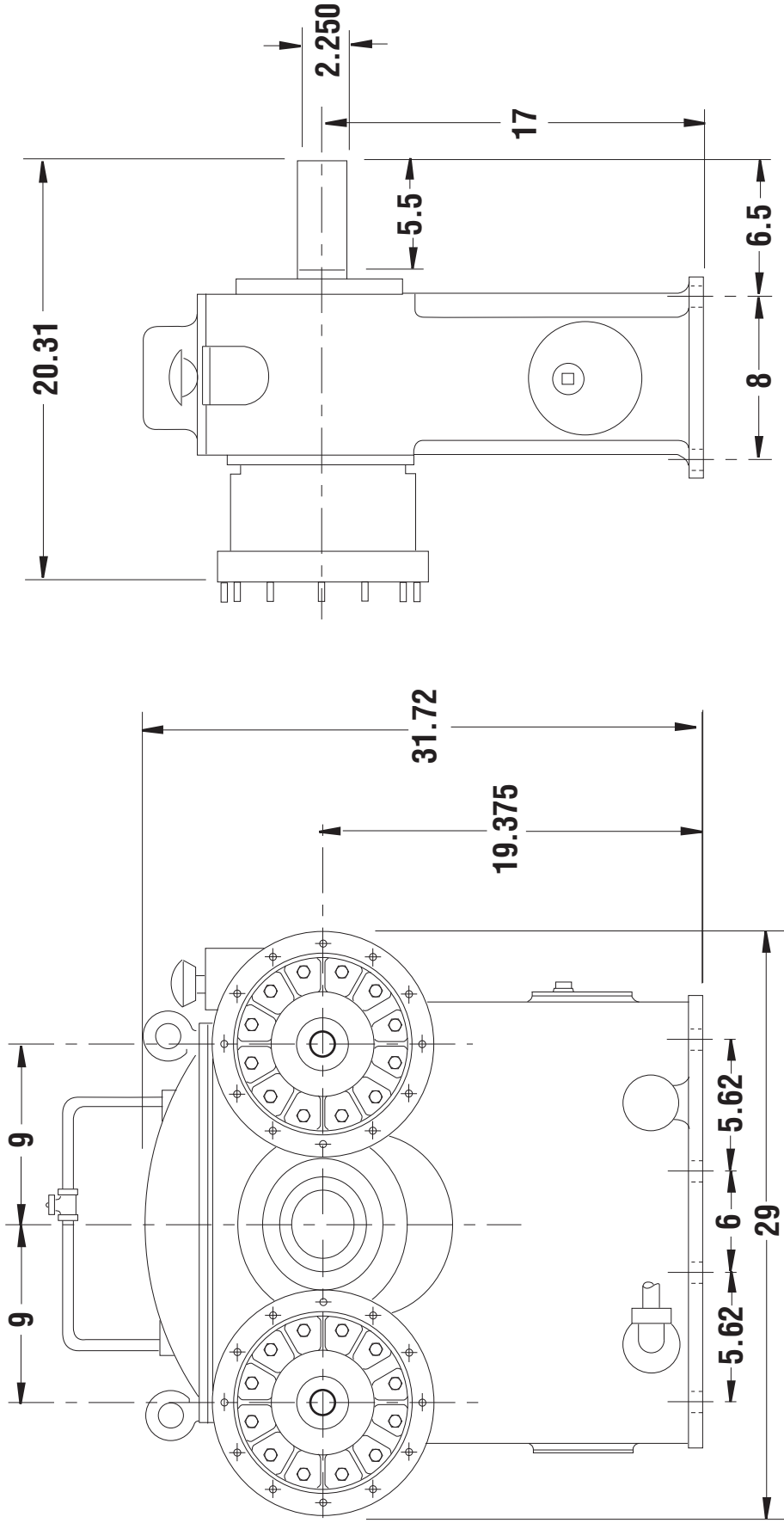


MODEL SN1678
HIGH SPEED

Model TR1678 is a foot mounted high speed gear box that is designed for test stand use. This model has a stub input shaft and two output pads. Both output pads have the same direction of rotation and the same ratio. There is a single train of gears that are helical, carburized and precision ground per AGMA Q-12. The bearings are anti-friction. The case is stress relieved fabricated steel.

MAXIMUM HORSEPOWER:	600
MAXIMUM OUTPUT SPEED:	20,000
RATIOS:	2.02, 4.14, 5.0, 5.30, 5.48 (Contact Cotta for other ratios up to 7.7)
MAXIMUM ACCELERATION/DECELERATION:	2000 RPM per second (High Speed Shaft)
INPUT SHAFT:	2.250" Dia. with 1/2 x 1/4 keyway
OUTPUT PAD:	AND20006 type XVI
DIRECTION OF ROTATION:	Bi-rotational, output rotation is the same as input rotation.
LUBRICATION:	Separate motor driven lube pump supplying oil spray on gears and bearings. Filter (10 micron) Heat exchanger with modulating water control valve Sump is in the case Use AGMA #1 OIL (ISO Viscosity Grade 46)
ACCESSORIES:	Oil level gauge Temperature/pressure switch to signal high oil temperatures and low pressures
OPTIONS:	60 tooth gear for customers speed pick-up Other output pads
FINISH:	Two coats gray polyurethane enamel
WEIGHT:	975 pounds

MODEL SN1678
HIGH SPEED



DO NOT USE DIMENSIONS ON THIS DRAWING FOR INSTALLATIONS. USE CERTIFIED PRINT PROVIDED WITH ORDERS.