

**MODEL SN1645**  
**RIGHT ANGLE DRIVE**

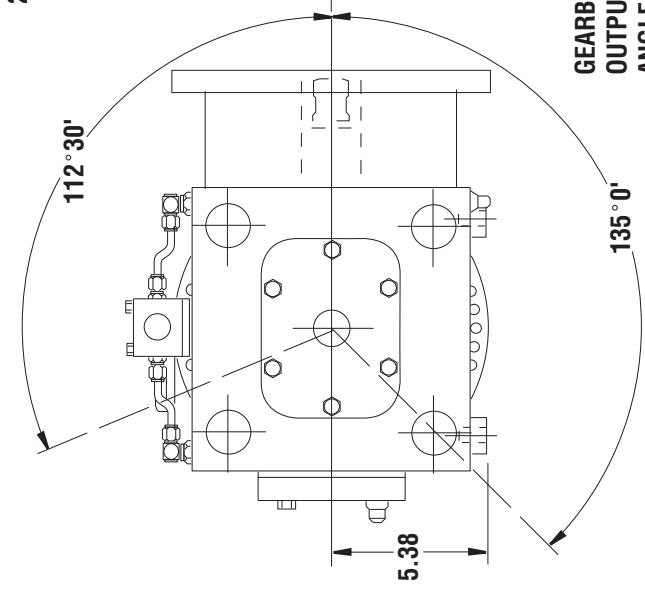
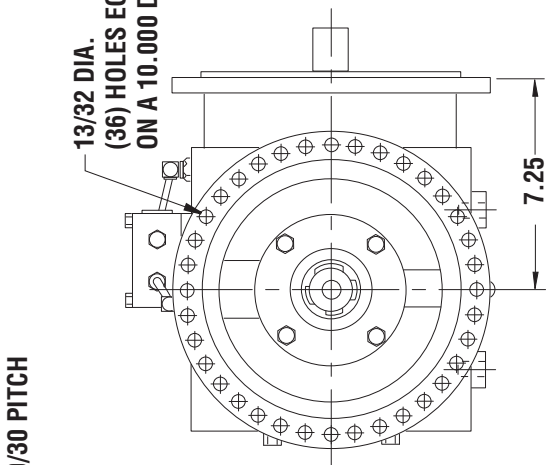
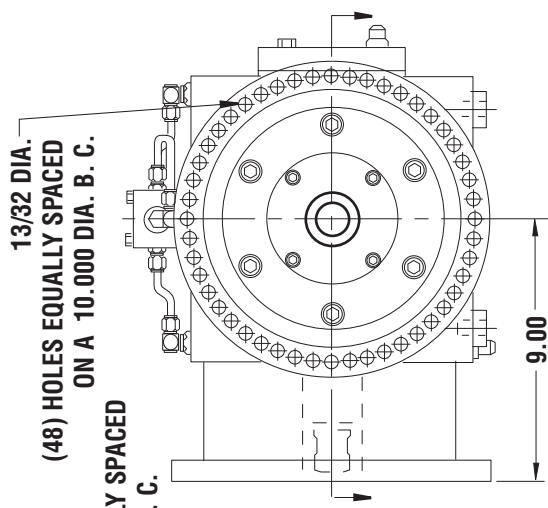
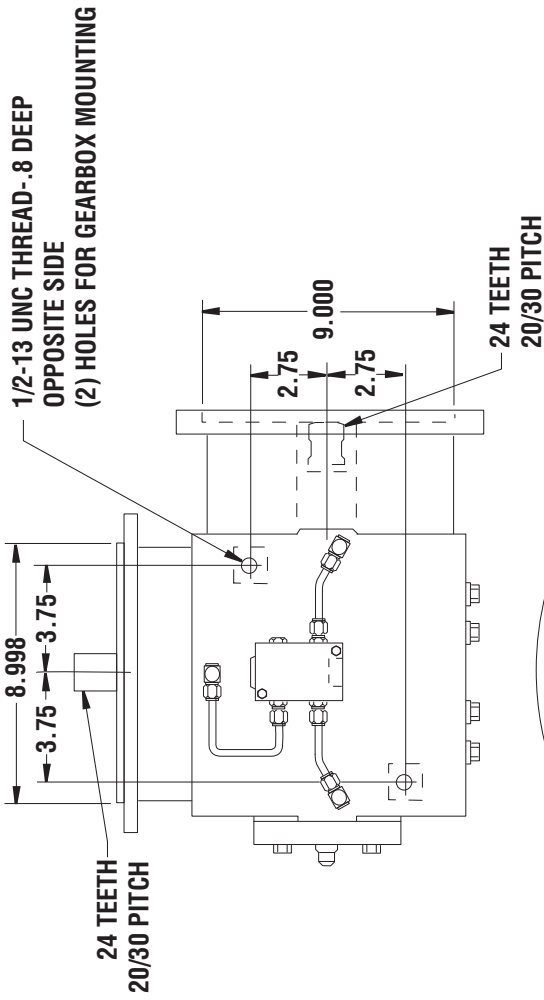
Model SN1645 is a right angle add-on high speed transmission designed to permit attitude testing of constant speed drives and generators. This model can be installed on existing test stand with the output shaft rotated at any 7 1/2 degree increment from 112 degrees above, to 135 degrees below the horizontal. This angular range is from 11 o'clock through 7:30 o'clock when looking at the output of the test stand. The gears are precision ground spiral level. The bearings are anti-friction and the case is stress relieved fabricated steel.

<b>MAXIMUM HORSEPOWER:</b>	300
<b>MAXIMUM RPM:</b>	20,000
<b>RATIOS:</b>	1 to 1, 1 to 2 overspeed
<b>INPUT PAD:</b>	AND10267 type XVII with the exception that there are 48 holes in place of 12 holes. The edge of the flange is stamped to show 0, 15, 30, 45 and 90 degree holes on both sides of top center.
<b>OUTPUT PAD:</b>	AND20007 with the exception that there are 36 holes in place of 12 studs. The edge of the flange is stamped to show 10, 20 and 30 degree holes on both sides of top center.
<b>LUBRICATION REQUIREMENT:</b>	2 1/2 GPM Mobil DTE Medium (or equivalent) at 18 to 22 PSI at inlet, maximum temperature 120 degrees F. and filtered to 10 micron.
<b>DIRECTION OF ROTATION:</b>	Bi-rotational
<b>MAXIMUM ACCELERATION/DECELERATION:</b>	1000 RPM per second
<b>MOUNTING SUPPORT:</b>	Two holes 1/2—13 on the bottom of the case for support

Cotta Model T17 lube system is recommended for use with this model SN1645 High Speed Right Angle Drive.

# MODEL SN1645

RIGHT ANGLE DRIVE



GEARBOX TO OPERATE WITH  
OUTPUT CENTER LINE AT  
ANGLE RANGE SHOWN  
AT 7° 30' INCREMENTS

DO NOT USE DIMENSIONS ON THIS DRAWING FOR  
INSTALLATIONS. USE CERTIFIED PRINT PROVIDED  
WITH ORDERS.