



MODEL GR16E

SPEED REDUCER

Product Description

Model GR16E is a single-stage reduction gearbox designed for direct mounting to industrial engines via an SAE flange and driven in standard engine rotation (CW facing input shaft). This unit incorporates an idler shaft to provide output rotation same as input. Tabulated below are nominal power and speed capacity together with standard options. Contact Cotta to discuss other options or specialized requirements.

OUTPUT ROTATION:	Same as input.
MAX INPUT TORQUE:	1650 lb-ft.
MAX INPUT SPEED:	2200 RPM or as otherwise limited by input clutch or coupling.
RATIO RANGE:	1.50 to 3.0
OUTPUT SHAFT SIZE:	4.000" dia., 9" long, 1" X 1/2" keyway.
OUTPUT SHAFT LOCATION:	6 o'clock std, 12, 3, and 9 o'clock optional
SAE HOUSINGS:	#00, #0, #1/2, #1
*FLYWHEEL COUPLINGS:	Various clutches, couplings, and drive plates through SAE 24".
REAR SUPPORT:	Integral foot mounts provided.
LUBRICATION:	Integral Lube pump supplied
COOLING:	Oil/water shell-and-tube cooler furnished if required. Various options.
**SIDE LOAD CAPABLE:	Yes. Contact Cotta for specs and limits.
***APPROXIMATE WEIGHT:	1500 lbs.

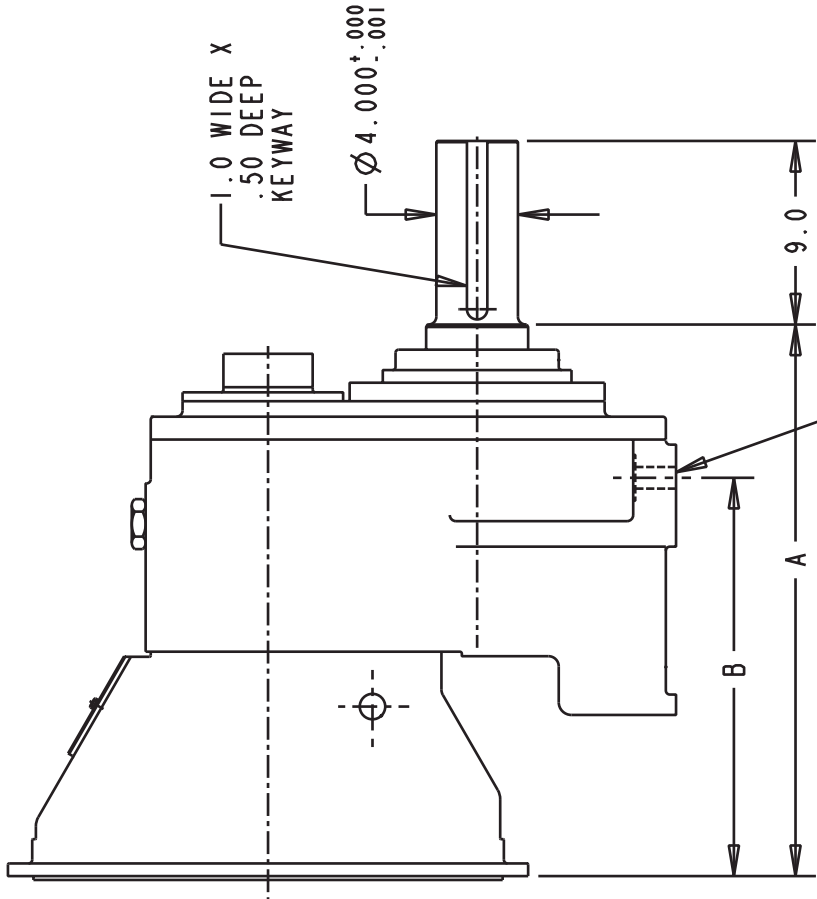
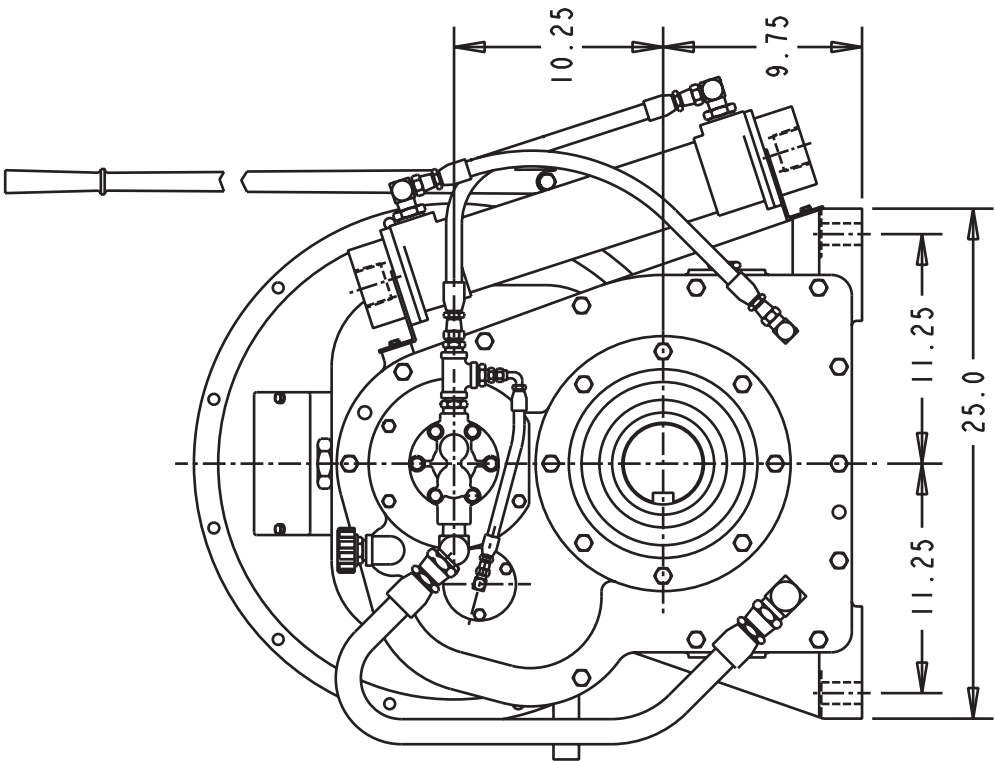
* Flywheel coupling selection requires Cotta technical review and approval.

** Some speed reducers output shafts are suitable for chain or belt side pull drives while others are not. Provide complete application details to Cotta for recommendations and approval.

*** Weight listed is an average. Actual weight can vary substantially with options such as SAE housing size and flywheel coupling choices.



This drawing shows general arrangement and approximate space claim. Do not design or lay out using this drawing. Use only certified drawings provided by Cotta Engineering.



BELLHSG SAE#	DIM A	DIM B
#1 & #1/2	27.0	19.5
#0 & #00	28.25	29.75
#0 (DEEP)	30.5	23.0

GR16E DRAWING