

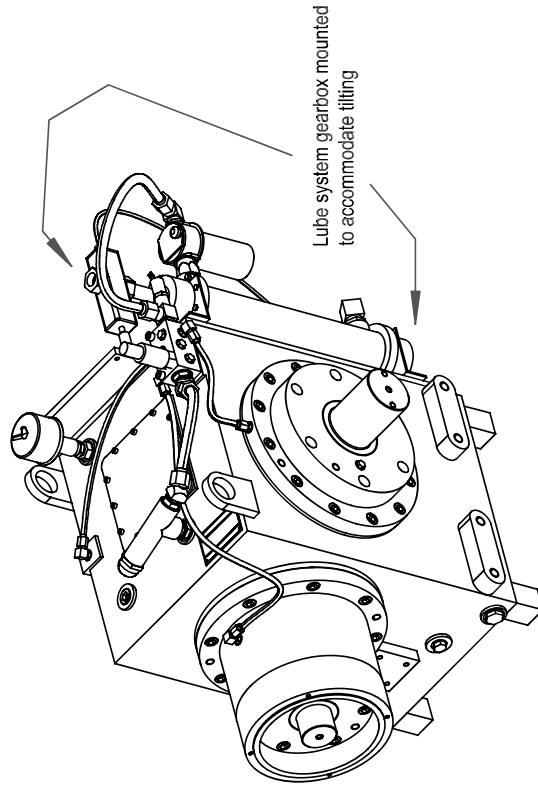
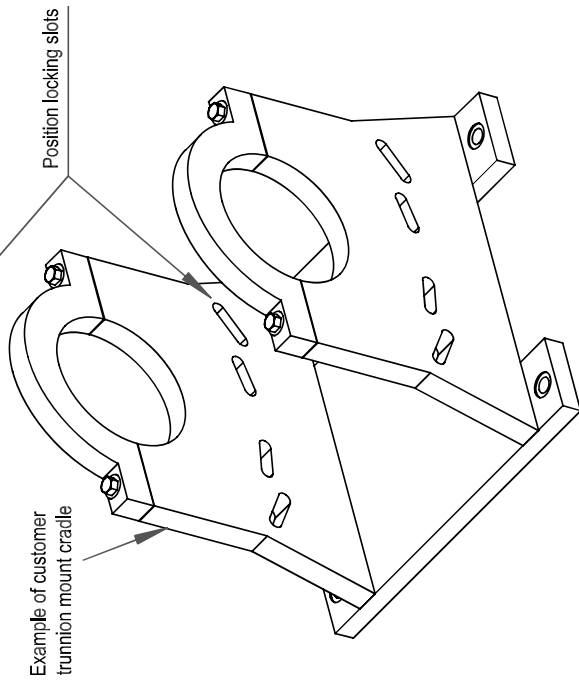
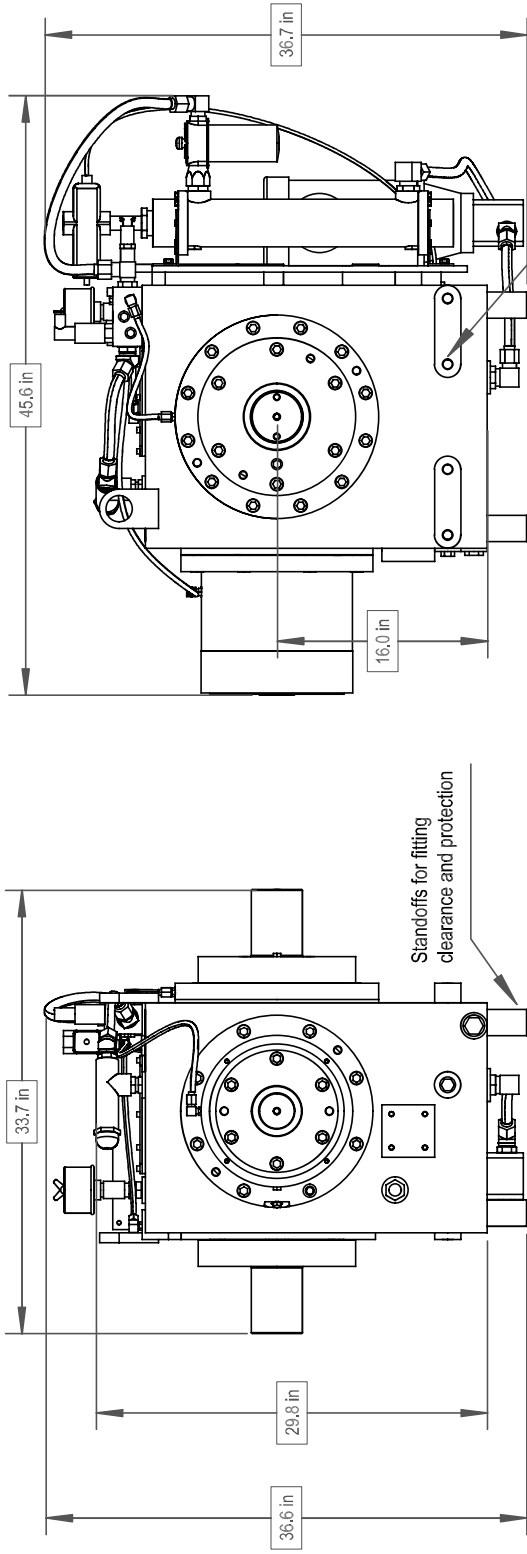
### Product Description:

Model RA2247 is a trunnion mounted, single-stage reducing, dual output, right-angle gearbox designed for test stand use. The dual output feature reduces test setup length by placing absorbers at right angle(s) to the input drive-line. The trunnion mount feature allows the gearbox to pitch + 6 degrees from horizontal to accommodate various drive train test angles. Contact Cotta to discuss specific features and dimensions or for technical specifications and drawings of current units.

<b>POWER:</b>	268 HP max. 755 lb-ft torque at high speed shaft
<b>OUTPUT SPEED:</b>	7500 RPM max.
<b>RATIOS:</b>	Up to 3 overspeed. Contact Cotta for other ratio options.
<b>MAX ACCEL / DECEL RATE:</b>	2000 RPM / sec at high speed shaft. Contact Cotta for other rates.
<b>INPUT CONFIGURATION:</b>	Stub shaft typical. Many options.
<b>OUTPUT CONFIGURATION:</b>	Stub shaft typical. Many options.
<b>ROTATION:</b>	Input can be driven ccw or cw. Output rotates in the same direction as input.
<b>LUBRICATION:</b>	Custom on-board lube system furnished. Pressure and temperature controls included.
<b>OPTIONS:</b>	Accelerometers, speed pickup, and other application specific items can be accommodated or supplied. Trunnion cradle is not included with the gearbox.
<b>APPROXIMATE WEIGHT:</b>	1400 lbs. without mounting frame.



This drawing shows general arrangement and approximate space claim. Do not design or lay out using this drawing. Use only certified drawings provided by Cotta Engineering.



# RA2247 DRW.