

Product Description:

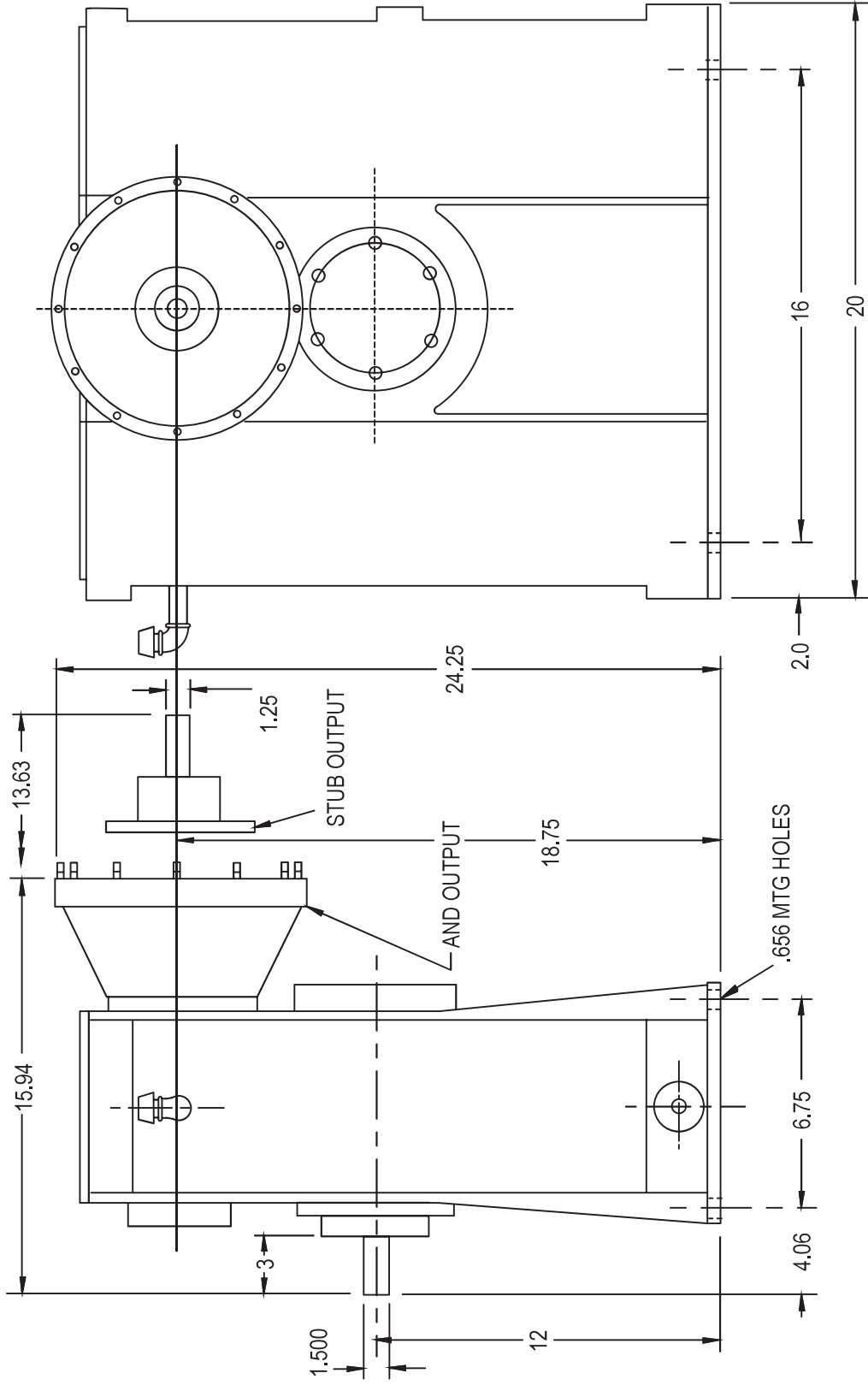
Model SN1624 is a foot mounted, single increasing stage, high-speed gearbox designed for test stand use. This model has a stub input shaft and typically has an aerospace accessory drive pad output. The gearbox can be modified to provide up to 50,000 rpm output speed.

POWER:	300 HP
OUTPUT SPEED:	30,000 RPM typical 50,000 RPM with modifications
RATIOS:	5.143, 5.40, 5.957, 7.00 Contact Cotta for other available ratios
MAX ACCEL / DECEL RATE:	2000 rpm/sec at output. For higher rates contact Cotta.
INPUT CONFIGURATION:	Keyed stub shaft is standard. Contact Cotta for optional inputs.
OUTPUT CONFIGURATION:	AND20006 Type XVI pad is typical. Shafts and various other pads available.
ROTATION:	Input can be driven ccw or cw. Output rotates opposite to input.
LUBRICATION:	Positive delivery. Pump, heat exchanger, and necessary temp and pressure controls are furnished.
LUBE RESERVOIR:	The gearbox case is the lube reservoir for output speeds up to 30,000 rpm. For higher speeds a separate reservoir is required.
OPTIONS:	Accelerometers, speed pickup, and other application specific items can be accommodated or supplied.
APPROXIMATE WEIGHT:	615 lbs
STANDARD FINISH:	2-part polyurethane enamel



Cotta[®]

This drawing shows general arrangement and approximate space claim. Do not design or lay out using this drawing. Use only certified drawings provided by Cotta Engineering.



SN1624 DRW.