

Cotta®

SN1657 HIGH SPEED GEARBOX

Product Description:

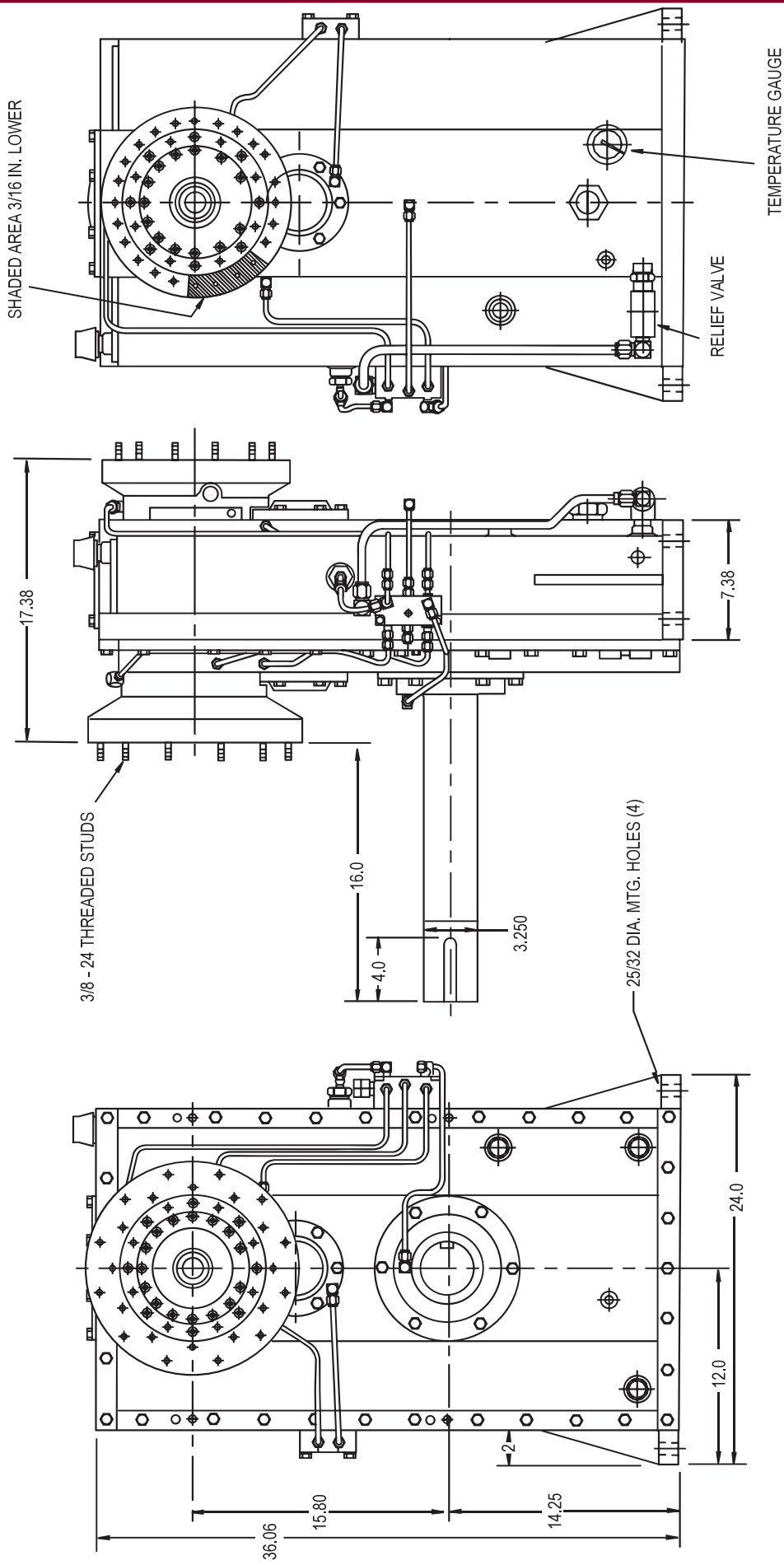
Model SN1657 is a foot mounted, two increasing stage, high-speed coaxial gearbox designed to simultaneously test aircraft constant speed drives and generators. Pads for the CSD and associated generator are located on opposite sides of the gearbox output shaft. Generators and CSD's for the 747, L1011 and the DC10 can be tested. All generators can be tested without the CSD by use of lock up adapters.

POWER:	450 HP at 5000 RPM output
OUTPUT SPEED:	15,000 RPM max.
RATIOS:	5.208, 5.655, 5.909, 6.084, 6.416, 7.768, 7.82 Contact Cotta for other available ratios.
MAX ACCEL / DECEL RATE:	2000 rpm/sec at output. For higher rates contact Cotta.
INPUT CONFIGURATION:	Extended keyed stub shaft is standard. Contact Cotta for optional inputs.
OUTPUT CONFIGURATION:	Mounting pads for CSD' s and Generators noted in description.
ROTATION:	Input can be driven ccw or cw. Output rotates in the same direction as input.
LUBRICATION:	Positive delivery. Pump, heat exchanger, and necessary temp and pressure controls are furnished.
OPTIONS:	Accelerometers, speed pickup, and other application specific items can be accommodated or supplied.
APPROXIMATE WEIGHT:	1100 lbs.
STANDARD FINISH:	2-part polyurethane enamel



This drawing shows general arrangement and approximate space claim. Do not design or lay out using this drawing. Use only certified drawings provided by Cotta Engineering.

FLANGE ADAPTERS AND SPLINED ADAPTERS
AVAILABLE TO FIT VARIOUS GENERATORS AND CSD'S.



SN1657 DRW.