

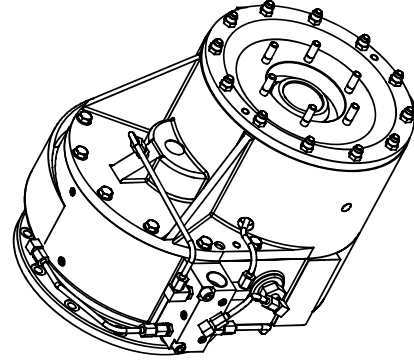
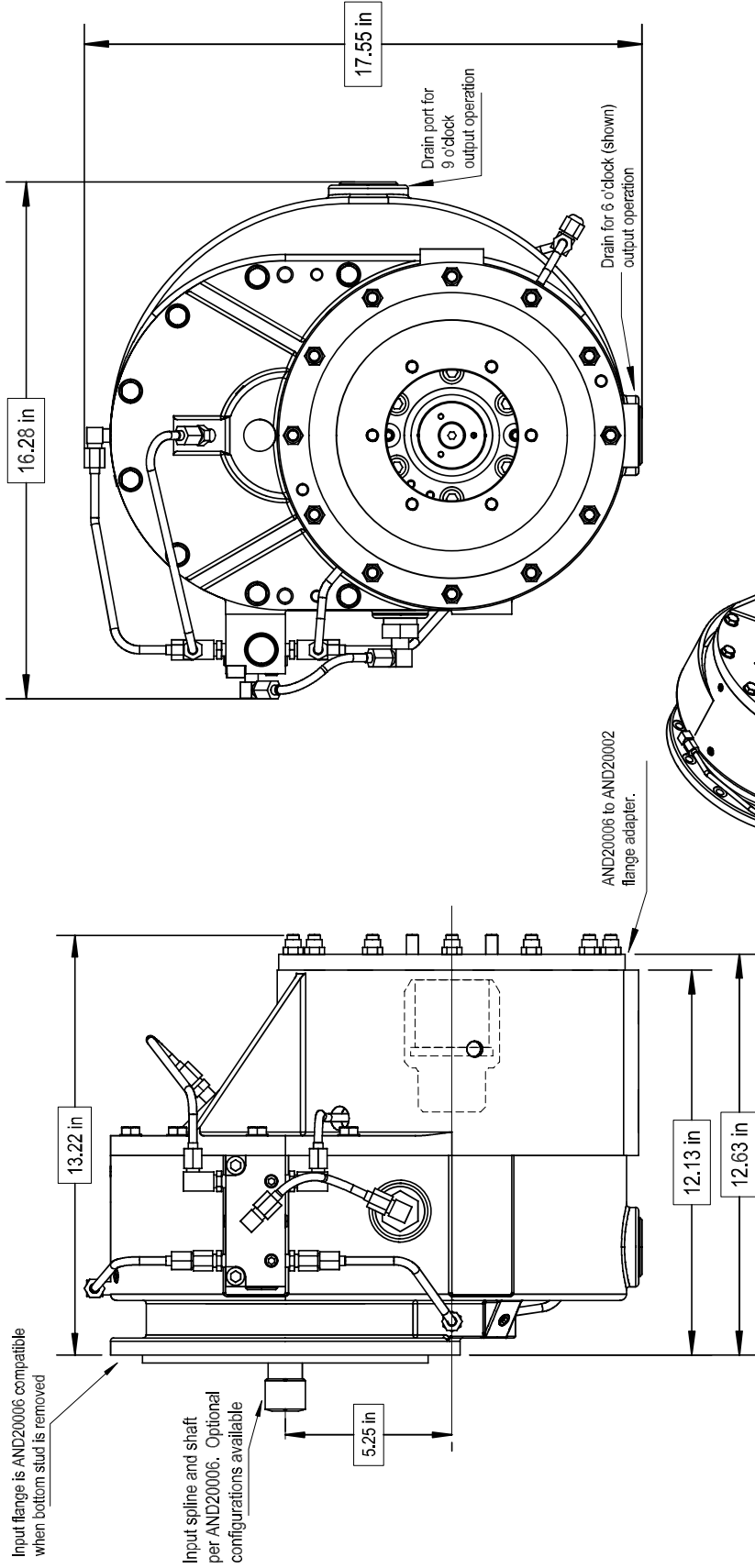
### Product Description:

Model SN1572 Flex Drive is a single stage add-on speed multiplier that mounts directly to an existing gearbox via aerospace accessory drive pad and provides an aerospace accessory drive pad output. The gearbox requires pressure lube, seal scavenge, and a gravity drain line. In some applications the host gearbox can support these lube requirements but if not see T-17 Lube System specification for an example of an acceptable independent supply.

<b>POWER:</b>	800 HP nominal
<b>OUTPUT SPEED:</b>	30,000 output
<b>RATIOS:</b>	Up to 3.14 overspeed
<b>MAX ACCEL / DECEL RATE:</b>	2000 rpm/sec at output
<b>INPUT CONFIGURATION:</b>	Will fit AND20006 XVI (A thru D)
<b>OUTPUT CONFIGURATION:</b>	AND20006, AND20002, AND20007 (Except for O ring counter bore in spline shaft on AND20007)
<b>ROTATION:</b>	Input can be driven ccw or cw. Output rotation is opposite to input.
<b>LUBRICATION:</b>	Gearbox requires external lube support provided either by host gearbox or separate lube cart similar to T-17.
<b>OPTIONS:</b>	Accelerometers, speed pickup, and other application specific items can be accommodated or supplied.
<b>APPROXIMATE WEIGHT:</b>	325 lbs. approximate.
<b>STANDARD FINISH:</b>	2-part polyurethane enamel



This drawing shows general arrangement and approximate space claim. Do not design or lay out using this drawing. Use only certified drawings provided by Cotta Engineering.



Output options:  
AND20006  
AND20007  
AND20007 XVII (A & B)  
AND20002 XVII (C THRU F) (shown)

# SN1659 DRW.