

**Cotta**

# SN1708 HIGH SPEED GEARBOX

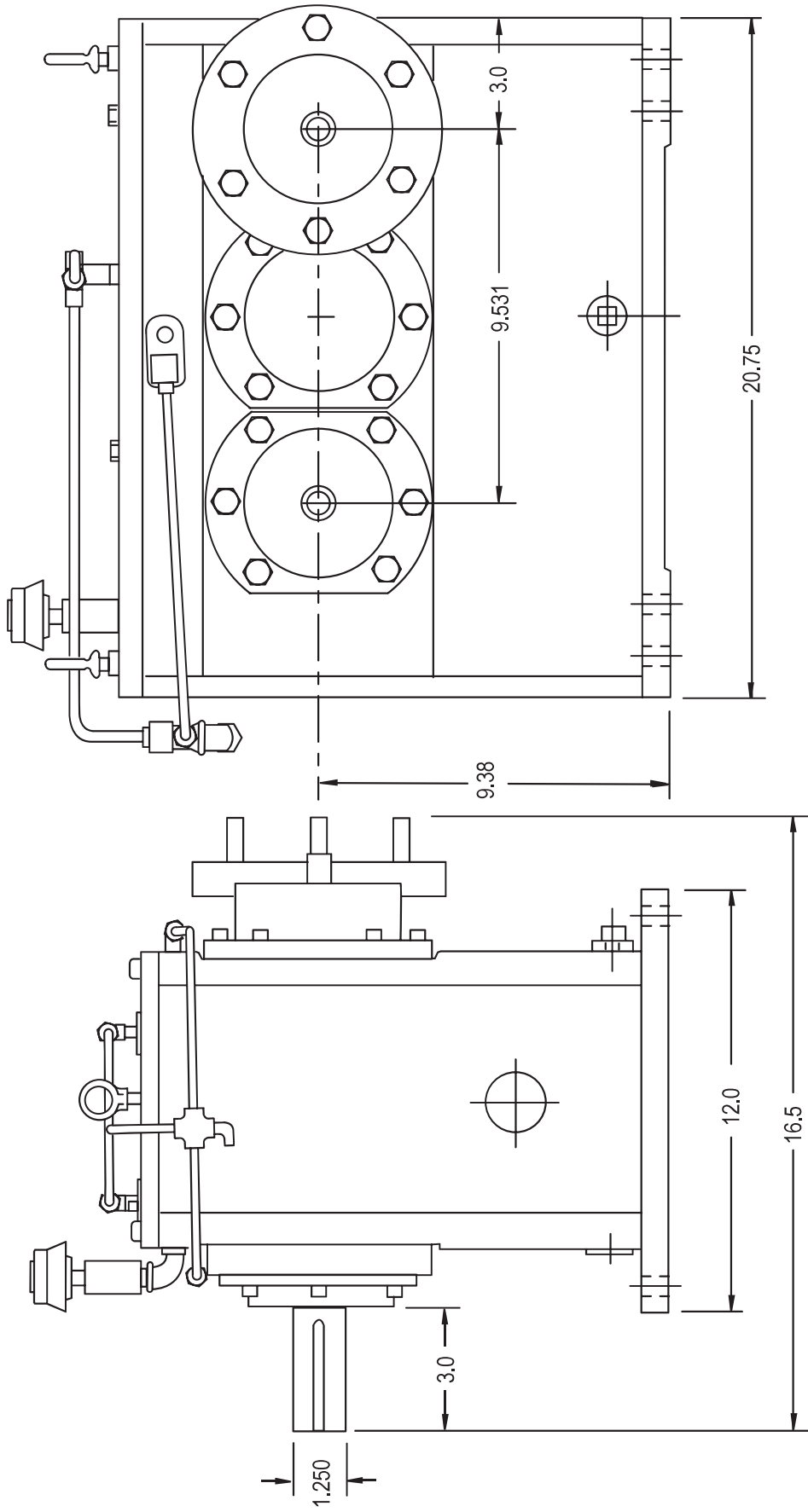
## Product Description:

Model SN1708 is a two increasing stage, single output, foot mounted, high-speed gearbox. This gearbox is suitable for test stand use where speed requirements are 50,000 RPM or greater.

<b>POWER:</b>	250 HP nominal
<b>OUTPUT SPEED:</b>	60,000 RPM capable, 50,000 rpm typical
<b>RATIOS:</b>	8.43, 8.94, 9.18, 15.225 Max. Contact Cotta for other available ratios.
<b>MAX ACCEL / DECEL RATE:</b>	2000 rpm/sec at output. For higher rates contact Cotta.
<b>INPUT CONFIGURATION:</b>	Stub shaft is standard. Contact Cotta for optional inputs.
<b>OUTPUT CONFIGURATION:</b>	Aerospace accessory mounting pad is typical. Various other pads and shafting options available.
<b>ROTATION:</b>	Input can be driven ccw or cw. Output rotates in the same direction as input.
<b>LUBRICATION:</b>	Positive delivery. Pump, heat exchanger, and necessary temp and pressure controls are furnished.
<b>OPTIONS:</b>	Accelerometers, speed pickup, and other application specific items can be accommodated or supplied.
<b>APPROXIMATE WEIGHT:</b>	1100 LBS.
<b>STANDARD FINISH:</b>	2-part polyurethane enamel



This drawing shows general arrangement and approximate space claim. Do not design or lay out using this drawing. Use only certified drawings provided by Cotta Engineering.



**SN1708 DRW.**