

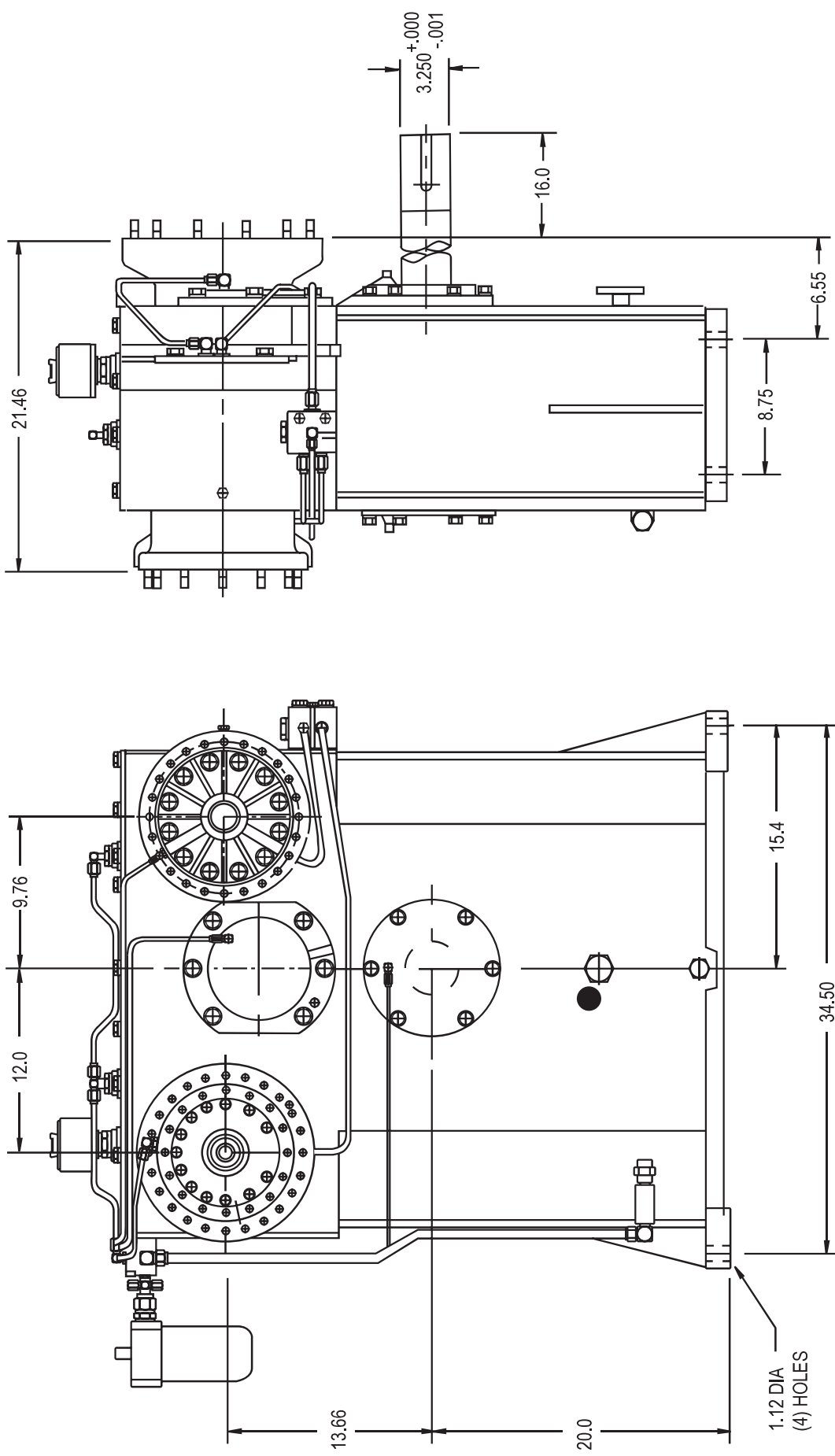
Product Description:

Model SN1995 is a two stage increasing, dual output, foot mounted high speed coaxial gearbox designed for test stand use for aircraft components. One of the output pads has a pad for a Constant Speed Drive located on it's opposite side (co-axial) to accommodate simultaneous testing of CSD's and generators. A lock up adapter is furnished for testing generators without CSD's. There are two outputs, a high speed and a low speed with an approximately equal ratio split.

POWER:	450 HP nominal
OUTPUT SPEED:	15,000 / 30,000 RPM
RATIOS:	Up to 14.685 overspeed high speed side. Up to 6.50 overspeed low speed side.
MAX ACCEL / DECEL RATE:	Varies with ratio. Contact Cotta for specific rates.
INPUT CONFIGURATION:	Extended keyed stub shaft is standard. Contact Cotta for optional inputs.
OUTPUT CONFIGURATION:	Twin aerospace accessory mounting pads AND20007 is typical. One side co-axial.
ROTATION:	Input can be driven ccw or cw. Output rotates in the same direction as input.
LUBRICATION:	Positive delivery. Pump, heat exchanger, and necessary temp and pressure controls are furnished.
OPTIONS:	Accelerometers, speed pickup, and other application specific items can be accommodated or supplied.
APPROXIMATE WEIGHT:	1600 lbs.
STANDARD FINISH:	2-part polyurethane enamel



This drawing shows general arrangement and approximate space claim. Do not design or lay out using this drawing. Use only certified drawings provided by Cotta Engineering.



SN1995 DRW.