

Cotta

SN2032 HIGH SPEED GEARBOX

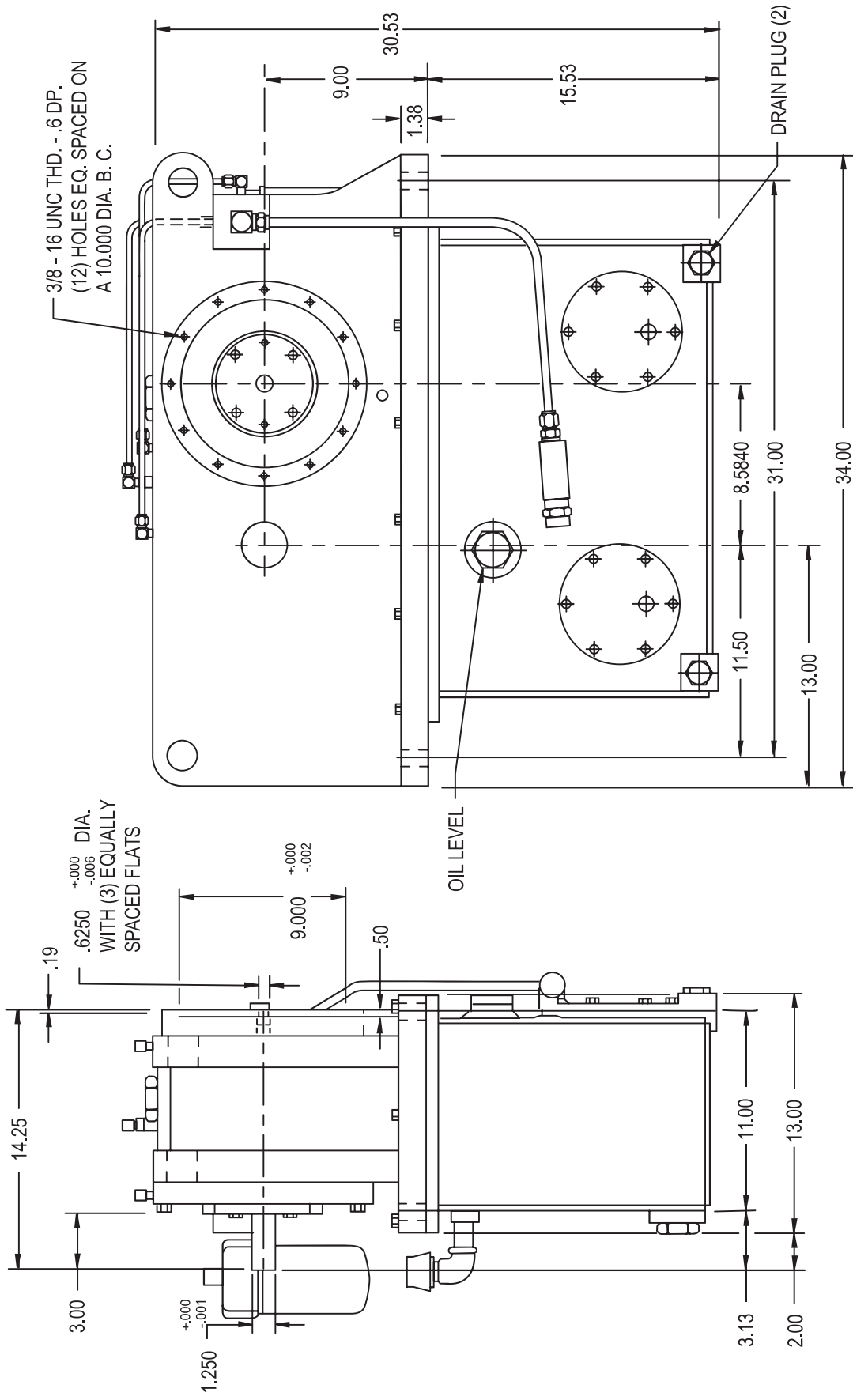
Product Description:

Model SN2032 is a two stage increasing, single output, foot mounted, high speed gearbox designed for test stand use where speeds above 60,000 RPM are required.

POWER:	100 HP nominal
OUTPUT SPEED:	80,000 RPM
RATIOS:	9.21 overspeed. Contact Cotta for other ratios
MAX ACCEL / DECEL RATE:	4500 RPM / sec at output
INPUT CONFIGURATION:	Keyed stub shaft is standard. Contact Cotta for optional inputs.
OUTPUT CONFIGURATION:	Custom aerospace accessory mounting pad. Various other pads and shafting options available.
ROTATION:	Input can be driven ccw or cw. Output rotates in the same direction as input.
LUBRICATION:	Positive delivery. Pump, heat exchanger, and necessary temp and pressure controls are furnished.
OPTIONS:	Accelerometers, speed pickup, and other application specific items can be accommodated or supplied.
APPROXIMATE WEIGHT:	1025 lbs.
STANDARD FINISH:	2-part polyurethane enamel



This drawing shows general arrangement and approximate space claim. Do not design or lay out using this drawing. Use only certified drawings provided by Cotta Engineering.



SN2032 DRW.