

Cotta[®]

SN2055 HIGH SPEED GEARBOX

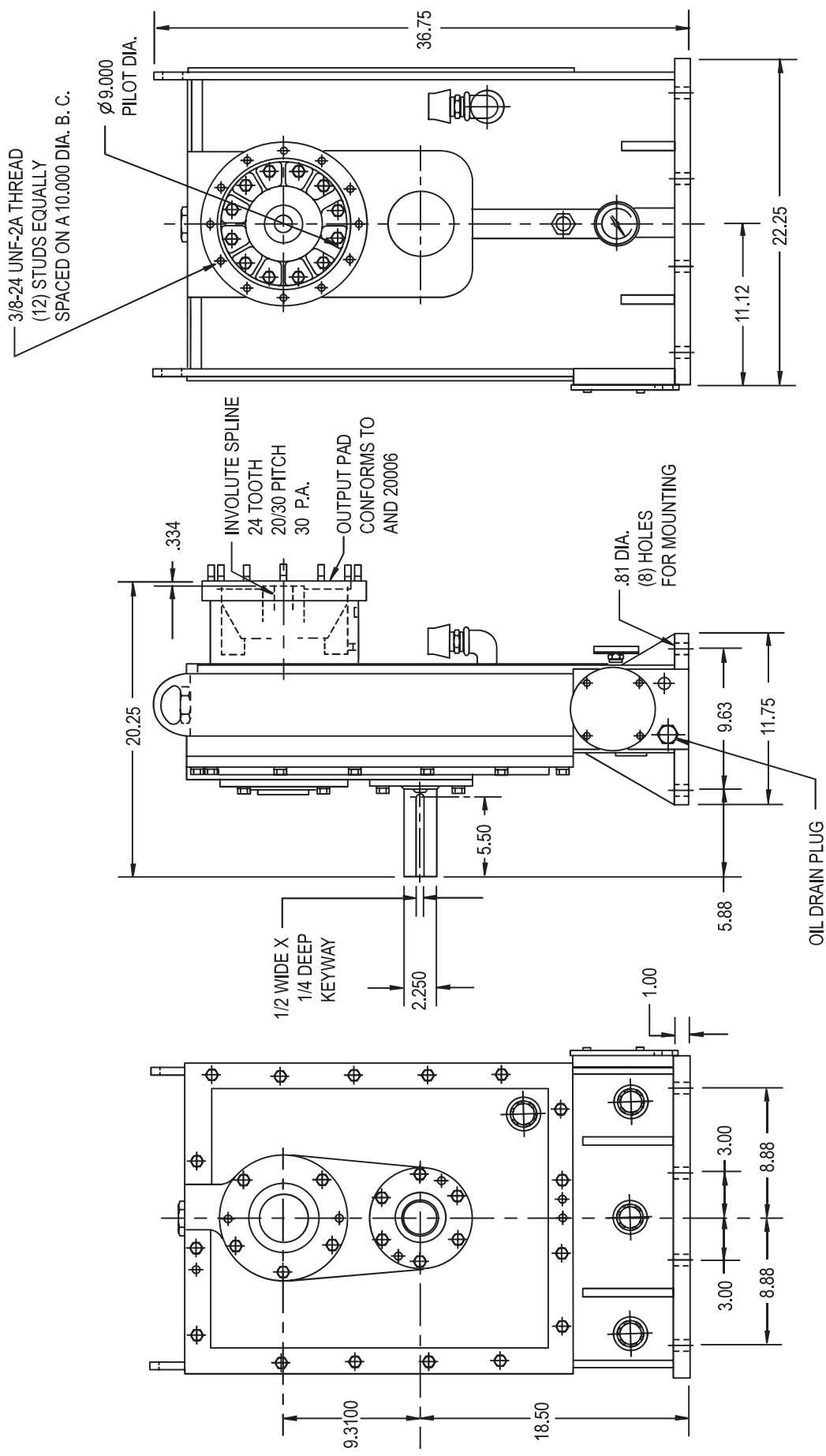
Product Description:

Model SN2055 is a foot mounted, single increasing stage, single output high speed gearbox designed for test stand use.

POWER:	600 HP nominal
OUTPUT SPEED:	30,000 RPM max
RATIOS:	1.29, 2.94, 3.18, 4.26, 6.10 Contact Cotta for other available ratios
MAX ACCEL / DECEL RATE:	2000 rpm / sec at output
INPUT CONFIGURATION:	Keyed stub shaft is standard. Contact Cotta for optional inputs.
OUTPUT CONFIGURATION:	Aerospace accessory mounting pad AND20007 typical. Various other pads and shafting options available.
ROTATION:	Input can be driven ccw or cw. Output rotates in the same direction as input.
LUBRICATION:	Positive delivery. Pump, heat exchanger, and necessary temp and pressure controls are furnished.
OPTIONS:	Accelerometers, speed pickup, and other application specific items can be accommodated or supplied.
APPROXIMATE WEIGHT:	825 lbs.
STANDARD FINISH:	2-part polyurethane enamel



This drawing shows general arrangement and approximate space claim. Do not design or lay out using this drawing. Use only certified drawings provided by Cotta Engineering.



SN2055 DRW.