

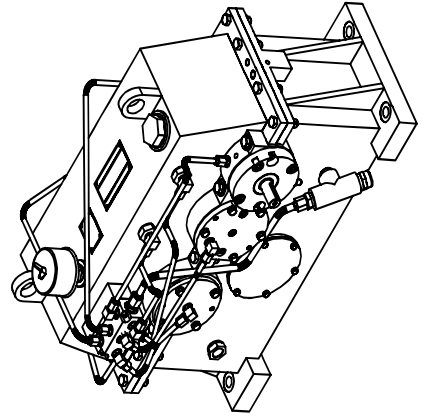
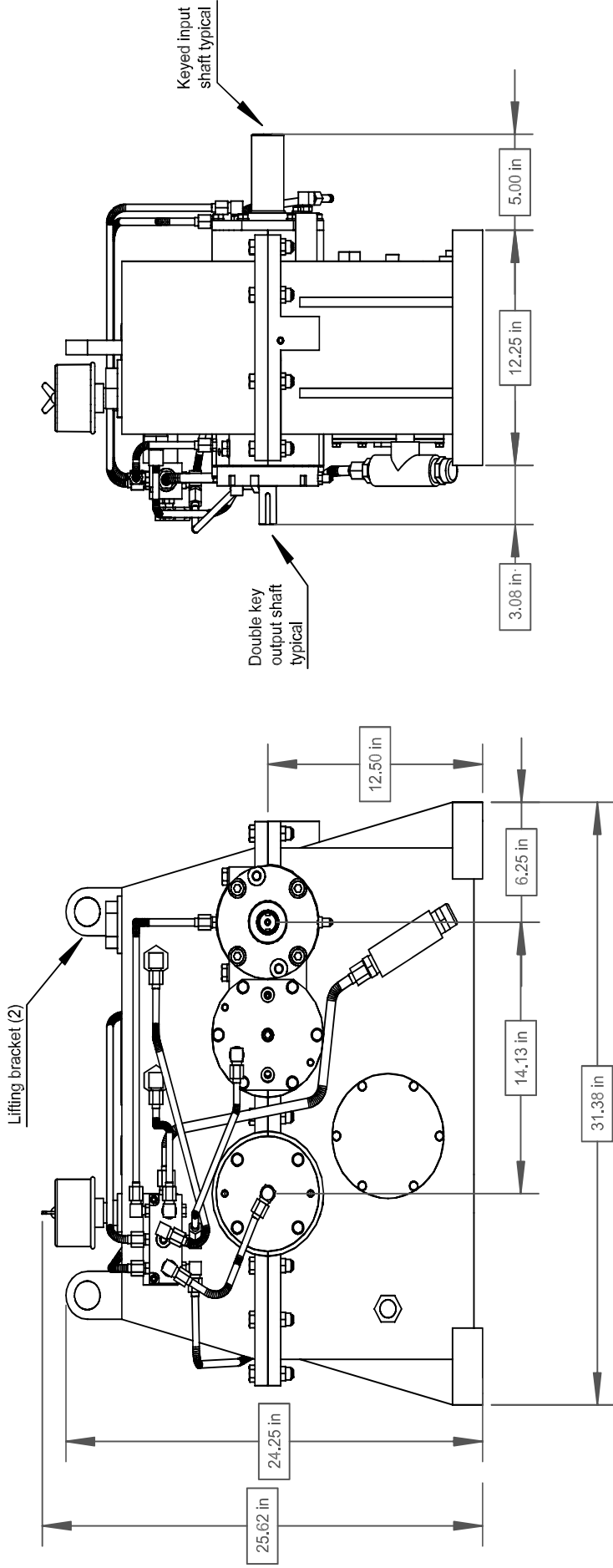
Product Description:

Model SN2057 is a foot mounted, two stage increasing, single output, high speed gearbox designed for test stand use. This gearbox can be supplied with a cartridge output shaft assembly which can be exchanged with a reserve cartridge for quick changeover of overall ratio without having to remove and disassemble the gearbox, or re-build the output assembly. This preserves gearbox placement, alignment, and dynamic balance thereby preserving output settings and dynamic balance.

POWER:	Up to 500 HP
OUTPUT SPEED:	50,000 RPM max
RATIOS:	8.5 to 16.83 overspeed. Contact Cotta for other available ratios.
MAX ACCEL / DECEL RATE:	2000 RPM / sec at output
INPUT CONFIGURATION:	Keyed stub shaft is standard. Contact Cotta for optional inputs.
OUTPUT CONFIGURATION:	Customer designed shaft is typical. Various other shafting and mounting pads available.
ROTATION:	Input can be driven ccw or cw. Output rotates in the same direction as input.
LUBRICATION:	Positive delivery. Pump, heat exchanger, and necessary temp and pressure controls are furnished.
OPTIONS:	Accelerometers, speed pickup, and other application specific items can be accommodated or supplied.
APPROXIMATE WEIGHT:	1650 lbs.
STANDARD FINISH:	2-part polyurethane enamel



This drawing shows general arrangement and approximate space claim. Do not design or lay out using this drawing. Use only certified drawings provided by Cotta Engineering.



SN2057 DRW.