

Cotta[®]

SN2068 HIGH SPEED RA GEARBOX

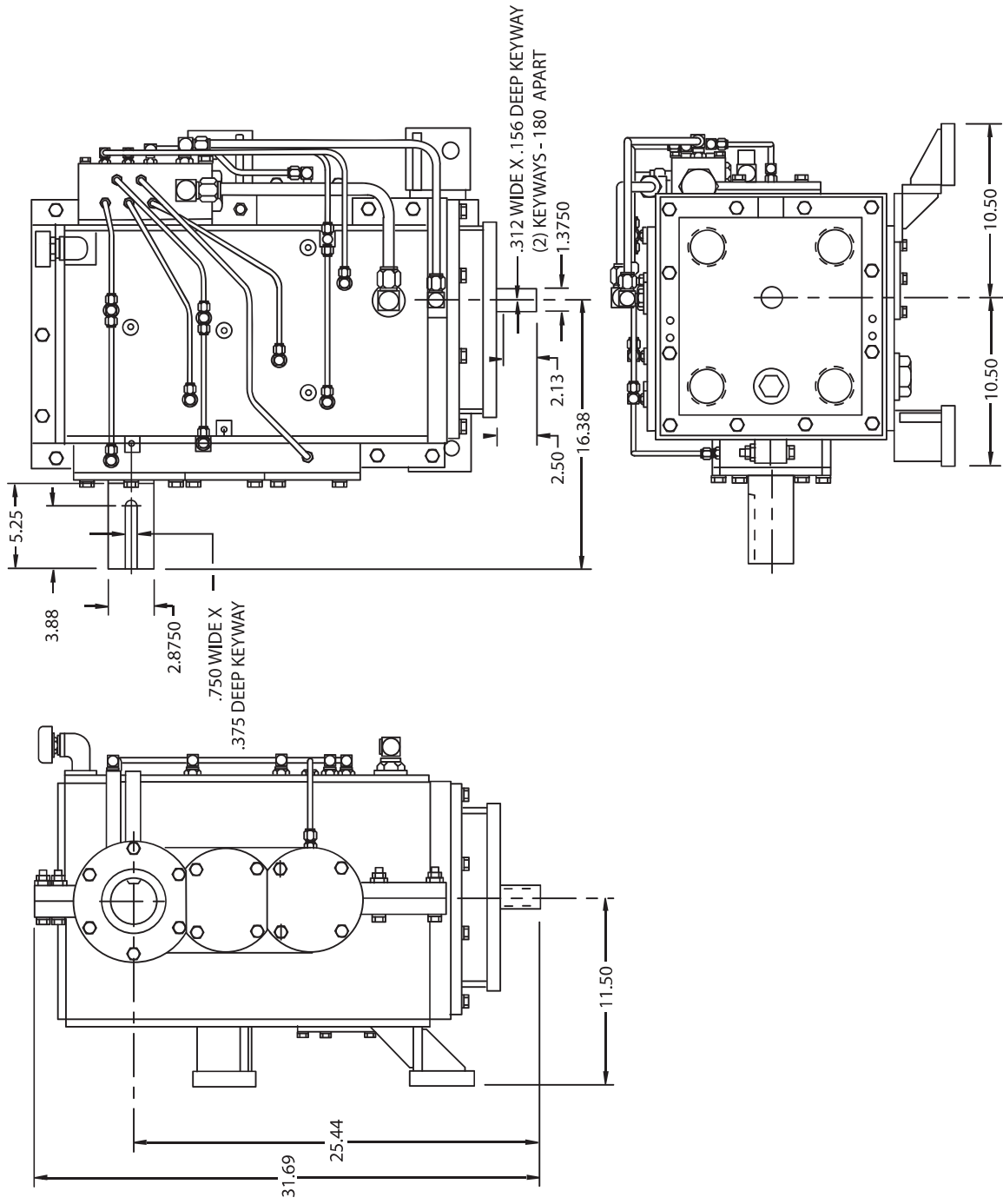
Product Description:

Model SN2068 is a three stage increasing, single output, high speed, right angle drive designed for test stand use. It is vertical-wall mounted with the high speed output shaft down. This gearbox utilizes helical and bevel gearing to accomplish high ratio, high speed, and high power.

POWER:	600 HP max power
OUTPUT SPEED:	35,000 RPM
RATIOS:	Up to 6.667 overspeed. Contact Cotta for other ratios.
MAX ACCEL / DECEL RATE:	2000 rpm/sec at output
INPUT CONFIGURATION:	Keyed stub shaft typical
OUTPUT CONFIGURATION:	Customer designed accessory mounting flange typical. Contact Cotta for optional outputs.
ROTATION:	Input can be driven cw or ccw. Output rotates opposite to input.
LUBRICATION:	Separate high delivery lube system required and is supplied by Cotta.
OPTIONS:	Accelerometers, speed pickup, and other application specific items can be accommodated or supplied.
APPROX. WEIGHT:	1100 lbs. approximate.
STANDARD FINISH:	2-part polyurethane enamel



This drawing shows general arrangement and approximate space claim. Do not design or lay out using this drawing. Use only certified drawings provided by Cotta Engineering.



SN2068 DRW.