

**Cotta**<sup>®</sup>

## SN2153 HIGH SPEED GEARBOX

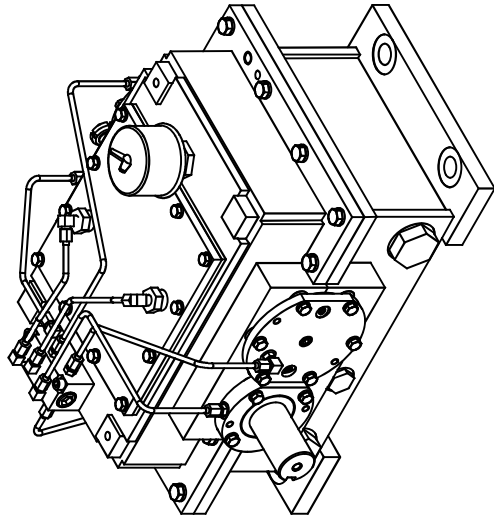
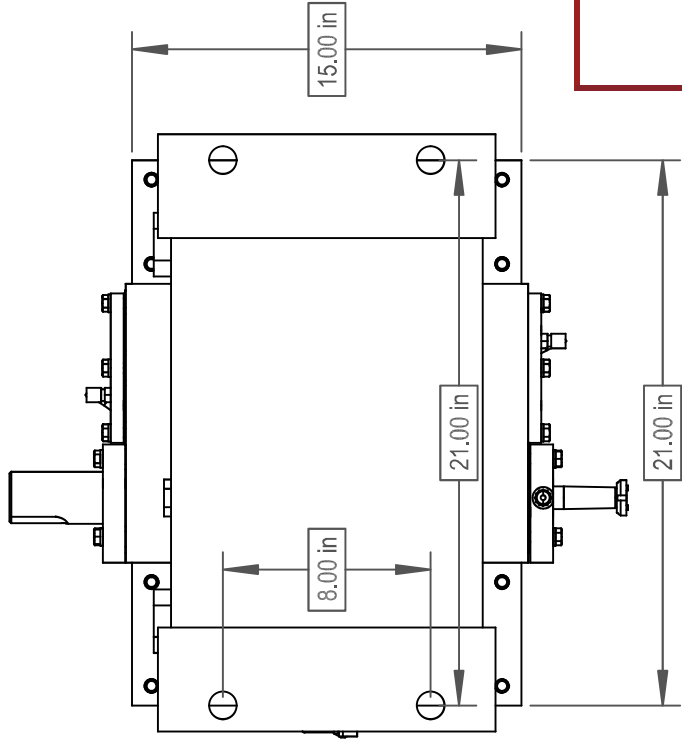
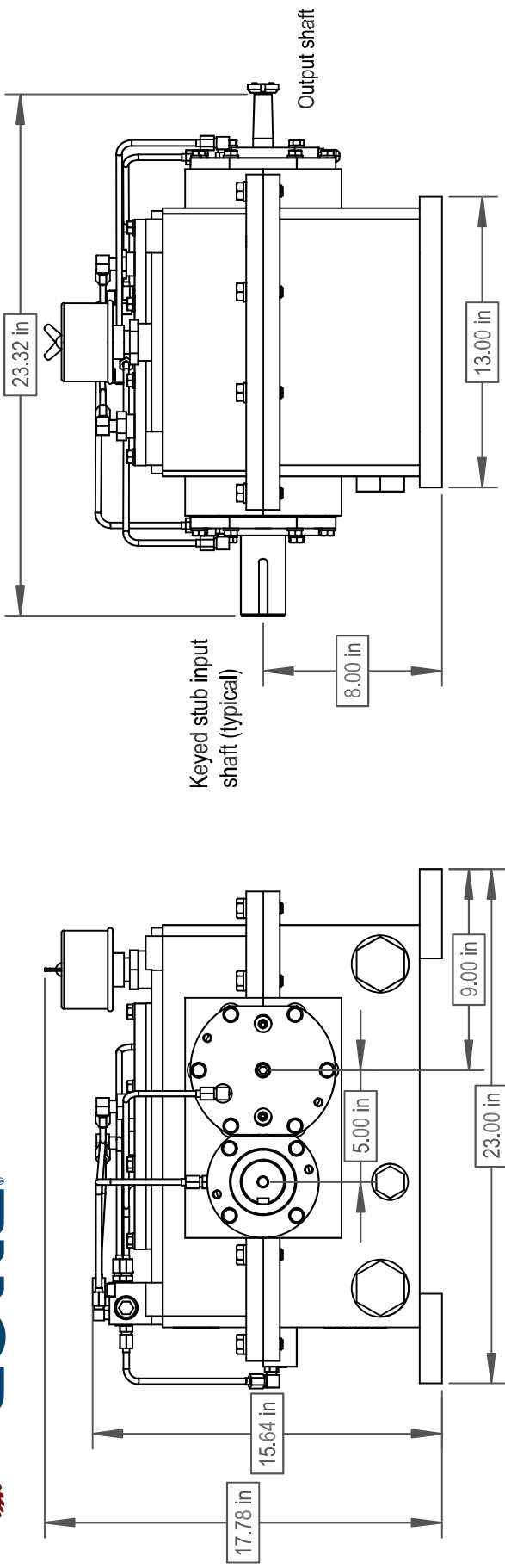
### Product Description:

Model SN2153 is a two increasing stage, single output, foot mounted high speed gearbox designed for test stand use. This model has a stub input shaft and typically has a stub shaft output which is concentric (in-line) with the input.

<b>POWER:</b>	170 HP nominal
<b>OUTPUT SPEED:</b>	Up to 30,000 RPM
<b>RATIOS:</b>	Up to 8.46 overspeed. Contact Cotta for other ratios.
<b>MAX ACCEL / DECEL RATE:</b>	2000 rpm/sec at output. For higher rates contact Cotta.
<b>INPUT CONFIGURATION:</b>	Keyed stub shaft is standard. Contact Cotta for optional inputs.
<b>OUTPUT CONFIGURATION:</b>	Shaft output is typical. Aerospace accessory drive pads are available.
<b>ROTATION:</b>	Input can be driven ccw or cw. Output rotate in the same direction as the input.
<b>LUBRICATION:</b>	Positive delivery. Pump, heat exchanger, and necessary temp and pressure controls are furnished.
<b>OPTIONS:</b>	Accelerometers, speed pickup, and other application specific items can be accommodated or supplied.
<b>APPROXIMATE WEIGHT:</b>	450 lbs.
<b>STANDARD FINISH:</b>	2-part polyurethane enamel



This drawing shows general arrangement and approximate space claim. Do not design or lay out using this drawing. Use only certified drawings provided by Cotta Engineering.



# SN2153 DRW.