

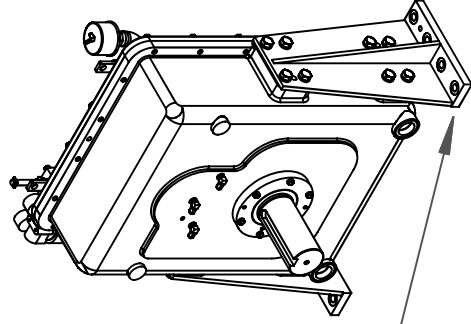
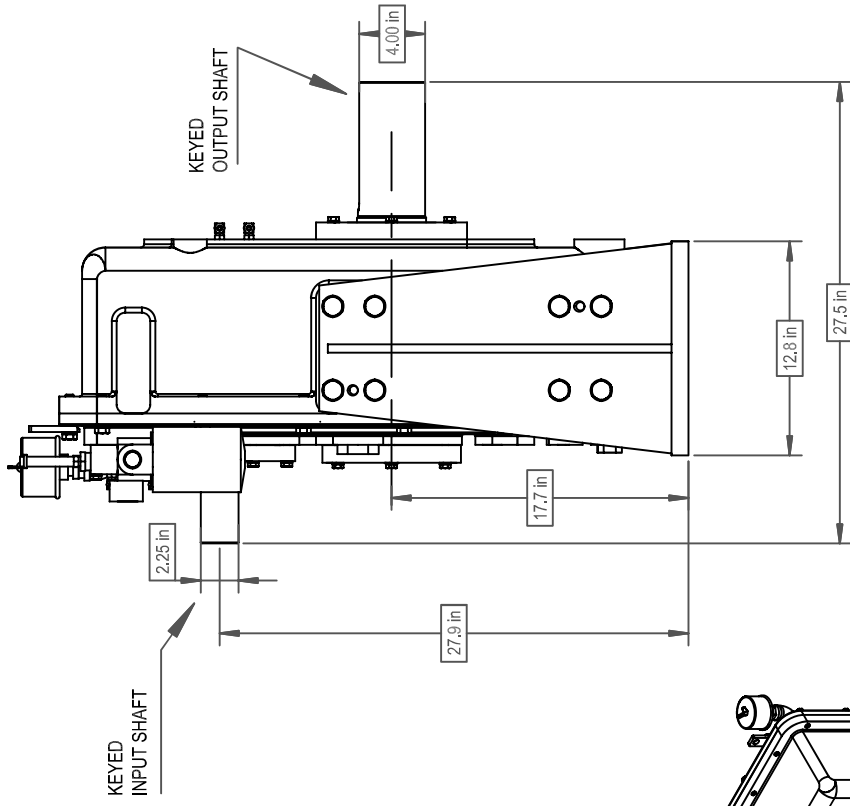
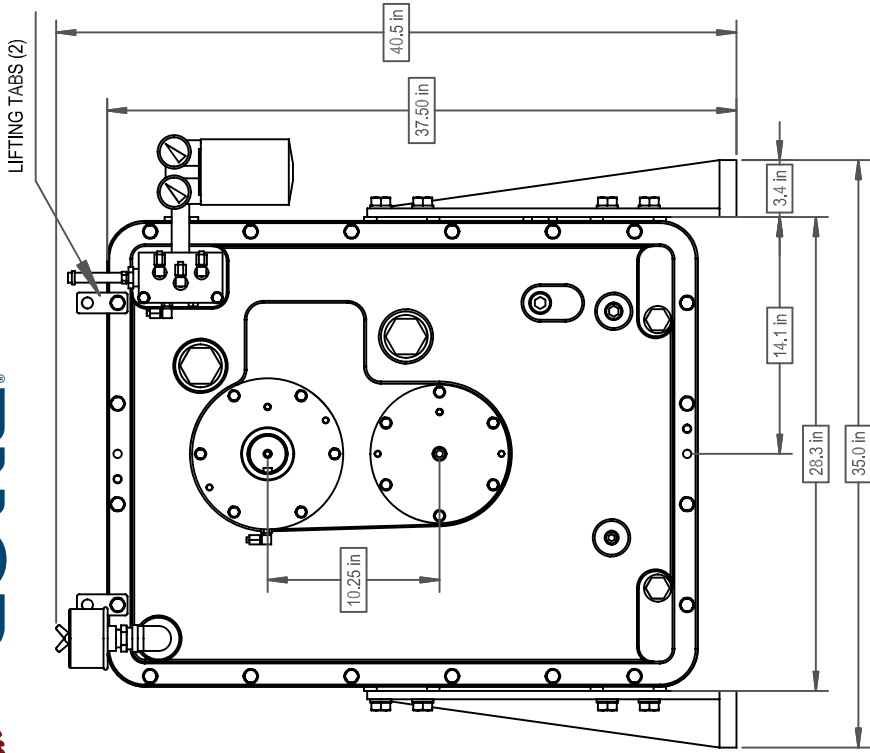
Product Description:

SN2169 is a single increasing stage, foot-mounted, multi-purpose speed increaser or reducer for use with medium speed turbine engines driving gas compressors, generators, etc. This heavy duty gearbox is designed for continuous operation at full load. This unit is designed to be driven clockwise facing the driven shaft.

POWER:	1600 HP nominal
OUTPUT SPEED:	6,000 RPM Max.
RATIOS:	Up to 3.24 overspeed
MAX ACCEL / DECEL RATE:	2000 RPM / sec at output
INPUT CONFIGURATION:	Keyed stub shaft is standard. Contact Cotta for optional inputs.
OUTPUT CONFIGURATION:	Customer designed shaft is typical
ROTATION:	Input to be driven cw looking at input. Output rotates opposite to input.
LUBRICATION:	This gearbox can be configured with separate lube pump or with shaft driven lube pump.
OPTIONS:	Accelerometers, speed pickup, and other application specific items can be accommodated or supplied.
APPROXIMATE WEIGHT:	1500 lbs.
STANDARD FINISH:	2-part polyurethane enamel



This drawing shows general arrangement and approximate space claim. Do not design or lay out using this drawing. Use only certified drawings provided by Cotta Engineering.



TYPICAL MOUNTING FEET, COTTA OR CUSTOMER SUPPLIED

SN2169 DRW.