

Cotta

SN2265 4 SQUARE HEADSTOCK GEARBOX

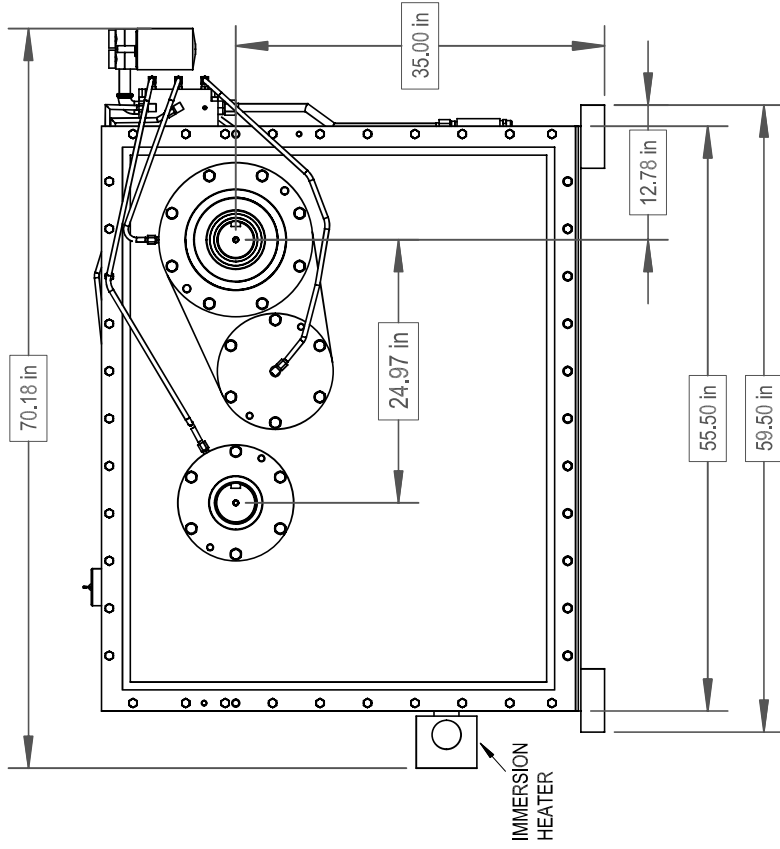
Product Description:

Model SN2265 is a foot mounted headstock gearbox used with model SN2264 to comprise a 4-square test system. This gearbox interfaces with the drive motor and hosts the torque actuator.

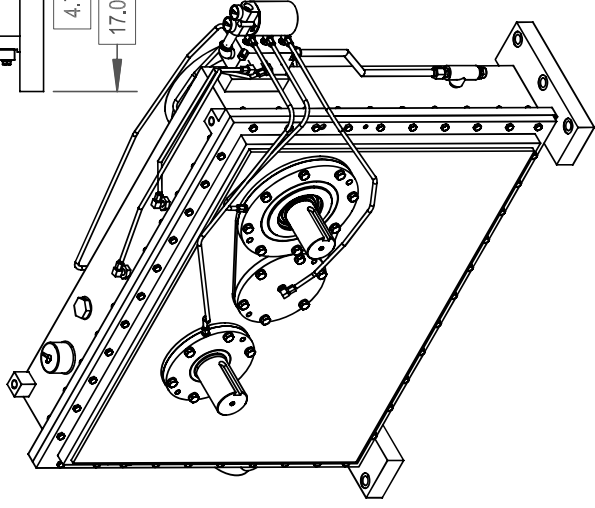
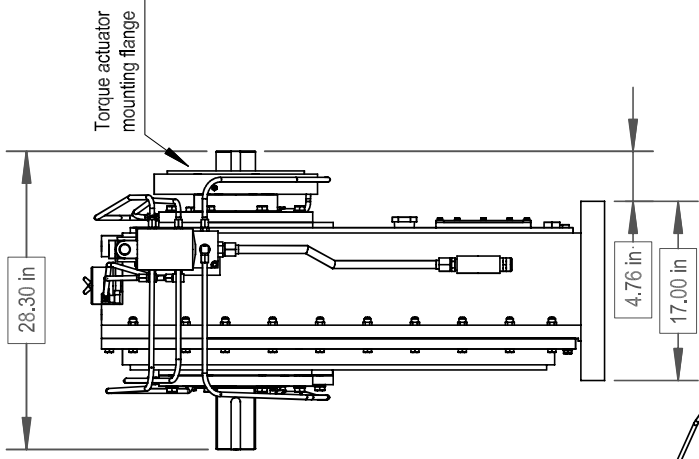
POWER:	7500 lb-ft max torque at either shaft 200 HP max in torque loop
OUTPUT SPEED:	1385 RPM at either shaft
RATIOS:	1:1
MAX ACCEL / DECEL RATE:	2000 RPM / sec at output
INPUT CONFIGURATION:	Keyed stub shaft is standard. Contact Cotta for options.
OUTPUT CONFIGURATION:	Keyed stub shaft is standard. Contact Cotta for options.
ROTATION:	Input can be driven ccw or cw. Both shafts rotate in the same direction.
LUBRICATION:	Positive delivery. Pump, heat exchanger, and necessary temp and pressure controls are furnished.
OPTIONS:	Accelerometers, speed pickup, and other application specific items can be accommodated or supplied.
APPROXIMATE WEIGHT:	3100 lbs.
STANDARD FINISH:	2-part polyurethane enamel



This drawing shows general arrangement and approximate space claim. Do not design or lay out using this drawing. Use only certified drawings provided by Cotta Engineering.



Note: this gearbox is used with SN2264 Trailstock Gearbox to comprise a 4-square system. Contact Cotta to discuss specific application details.



SN2265 DRW.