

**Cotta**<sup>®</sup>

## SN2291 HIGH SPEED GEARBOX

### Product Description:

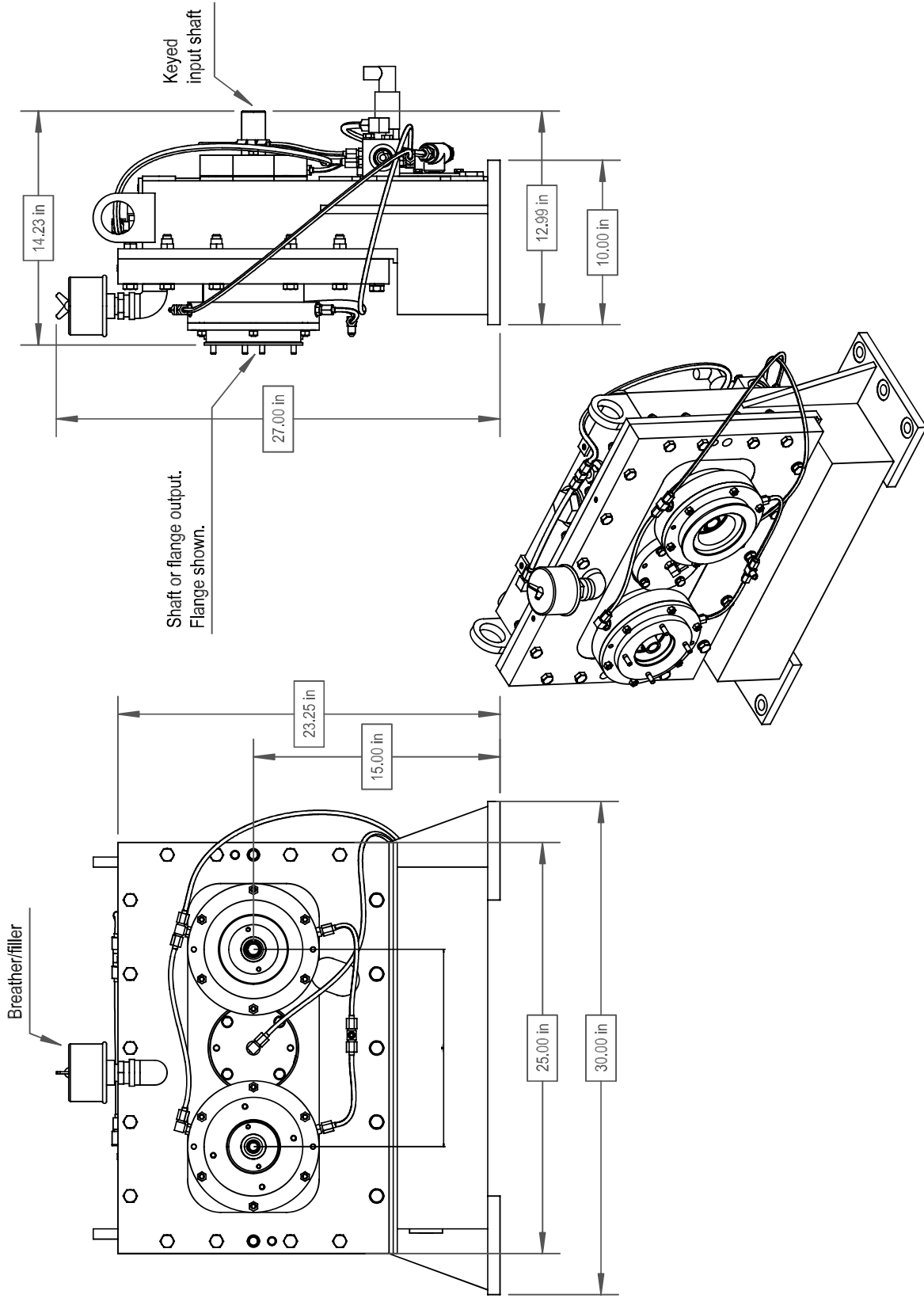
Model SN2291 is a single increasing stage, two output, foot mounted high-speed gearbox designed for test stand use. This model has a stub input shaft and two outputs located horizontally with the option of a third output. The outputs can have the same ratio, or different ratios at each output if required.

<b>POWER:</b>	400 HP nominal
<b>OUTPUT SPEED:</b>	Up to 15,000 RPM
<b>RATIOS:</b>	Up to 5 overspeed Contact Cotta for specific ratios within range
<b>MAX ACCEL / DECEL RATE:</b>	2000 rpm/sec at output. For higher rates contact Cotta.
<b>INPUT CONFIGURATION:</b>	Keyed stub shaft is standard. Contact Cotta for optional inputs.
<b>OUTPUT CONFIGURATION:</b>	Custom aerospace accessory mounting pad is typical. Shafts and various other pads available.
<b>ROTATION:</b>	Input can be driven ccw or cw. Outputs rotate opposite to input.
<b>LUBRICATION:</b>	Positive delivery. Pump, heat exchanger, and necessary temp and pressure controls are furnished.
<b>OPTIONS:</b>	Accelerometers, speed pickup, and other application specific items can be accommodated or supplied.
<b>APPROXIMATE WEIGHT:</b>	700 lbs.
<b>STANDARD FINISH:</b>	2-part polyurethane enamel



**Cotta**<sup>®</sup>

This drawing shows general arrangement and approximate space claim. Do not design or lay out using this drawing. Use only certified drawings provided by Cotta Engineering.



**SN2291 DRW.**