

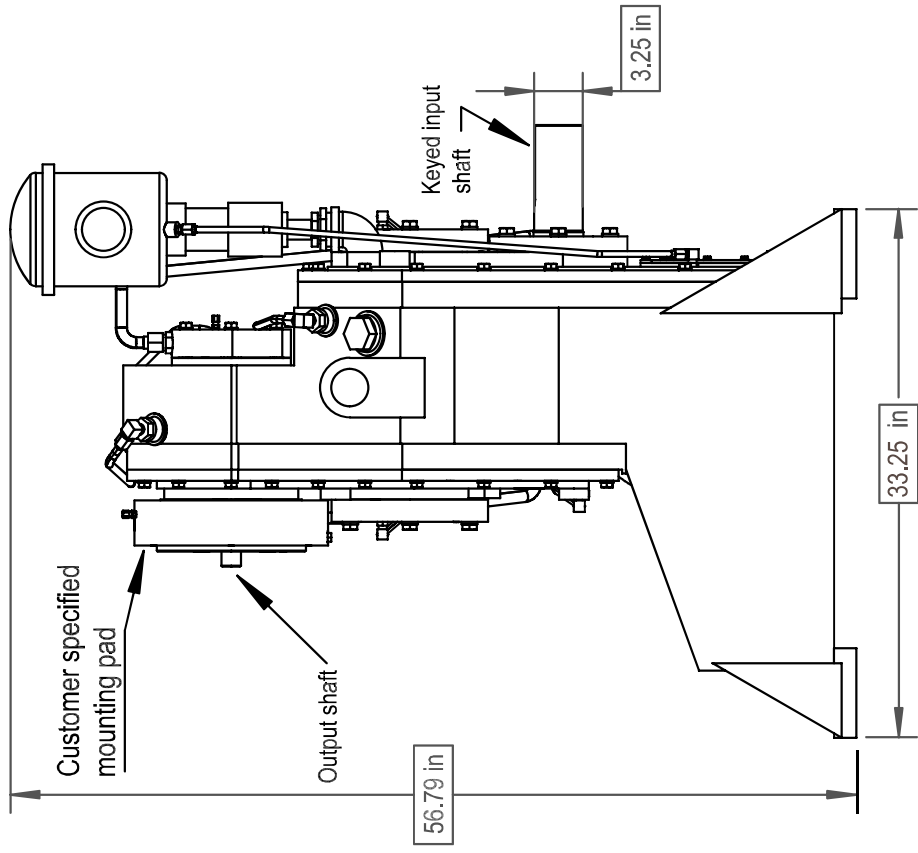
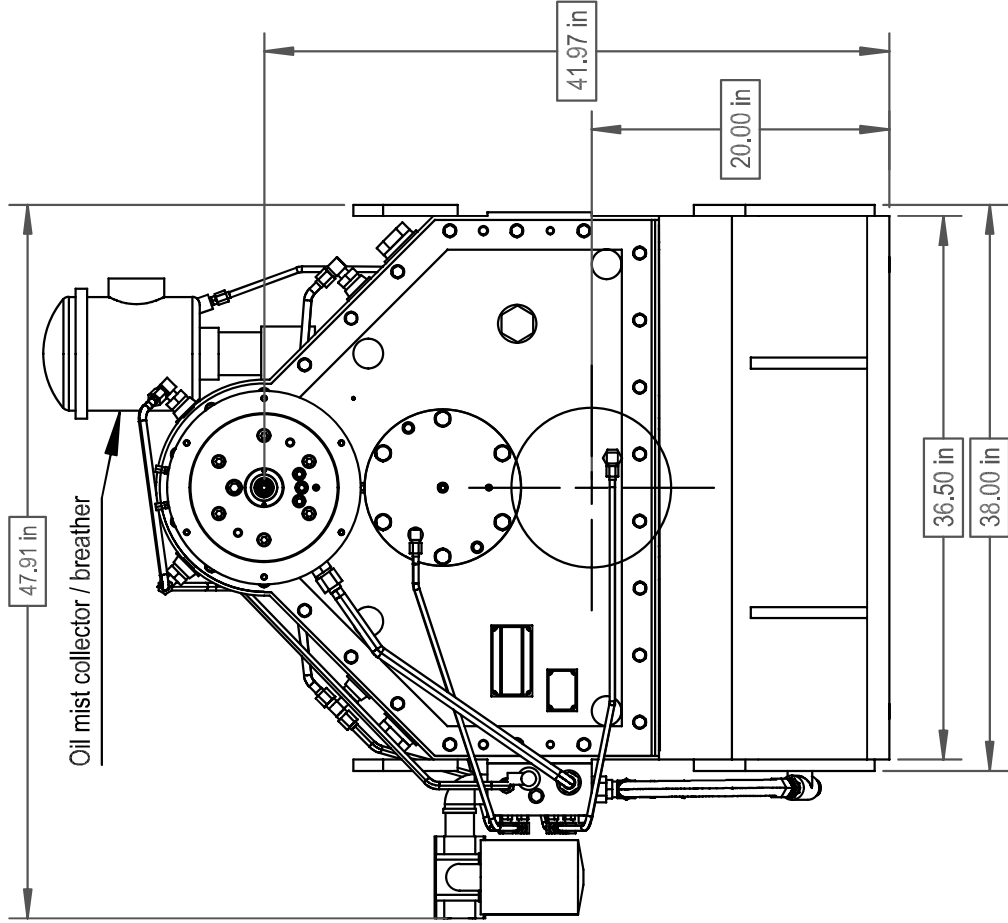
Product Description:

Model SN2294 is a foot mounted, two stage increasing, single output, high speed gearbox designed for test stand use. This gearbox utilizes journal bearings on the output shaft. The gearbox output is vertically offset at 12:00 o'clock to the input.

POWER:	1200 HP 4000 lb-ft max input torque
OUTPUT SPEED:	54,000 rpm
RATIOS:	Up to 30.46 overspeed. Contact Cotta for other ratios.
MAX ACCEL / DECEL RATE:	2000 rpm/sec at output. For higher rates contact Cotta.
INPUT CONFIGURATION:	Stub shaft is standard. Contact Cotta for optional inputs.
OUTPUT CONFIGURATION:	Custom mounting pad typical.
ROTATION:	Input can be driven ccw or cw. Output rotates in the same direction as input.
LUBRICATION:	Positive delivery. Pump, heat exchanger, and necessary temp and pressure controls are furnished.
OPTIONS:	Accelerometers, speed pickup, thermocouples, and other application specific items can be accommodated or supplied.
APPROXIMATE WEIGHT:	2400 lbs.
STANDARD FINISH:	2-part polyurethane enamel



This drawing shows general arrangement and approximate space claim. Do not design or lay out using this drawing. Use only certified drawings provided by Cotta Engineering.



SN2294 DRW.