



MODEL SR3A SPEED REDUCER

Product Description

Model SR3A is a single-stage reduction gearbox designed for direct mounting to industrial engines via an SAE flange and driven in standard engine rotation (CW facing input shaft). Tabulated below are nominal power and speed capacity together with standard options. Contact Cotta to discuss other options or specialized requirements.

OUTPUT ROTATION:	Opposite to input.
MAX INPUT TORQUE:	1400 lb-ft.
MAX INPUT SPEED:	3000 RPM or as otherwise limited by input clutch or coupling.
RATIOS:	1.02 to 3.04. Others by special design.
OUTPUT SHAFT SIZE:	3.5" dia., 5" long, 7/8" X 7/16" keyway
OUTPUT SHAFT LOCATION:	6 o'clock std, 12, 3, and 9 o'clock optional
SAE HOUSINGS:	#0, #1, #2
*FLYWHEEL COUPLINGS:	Various clutches, couplings, and drive plates through SAE 18 inch.
REAR SUPPORT:	Required. Customer supplied item. Mounting holes provided per drawing.
LUBRICATION:	Integral Lube pump supplied
COOLING:	Oil/water shell-and-tube cooler supplied if required. Various options.
**SIDE LOAD CAPABLE:	No. Contact Cotta for recommendations.
***APPROXIMATE WEIGHT:	940 lbs.

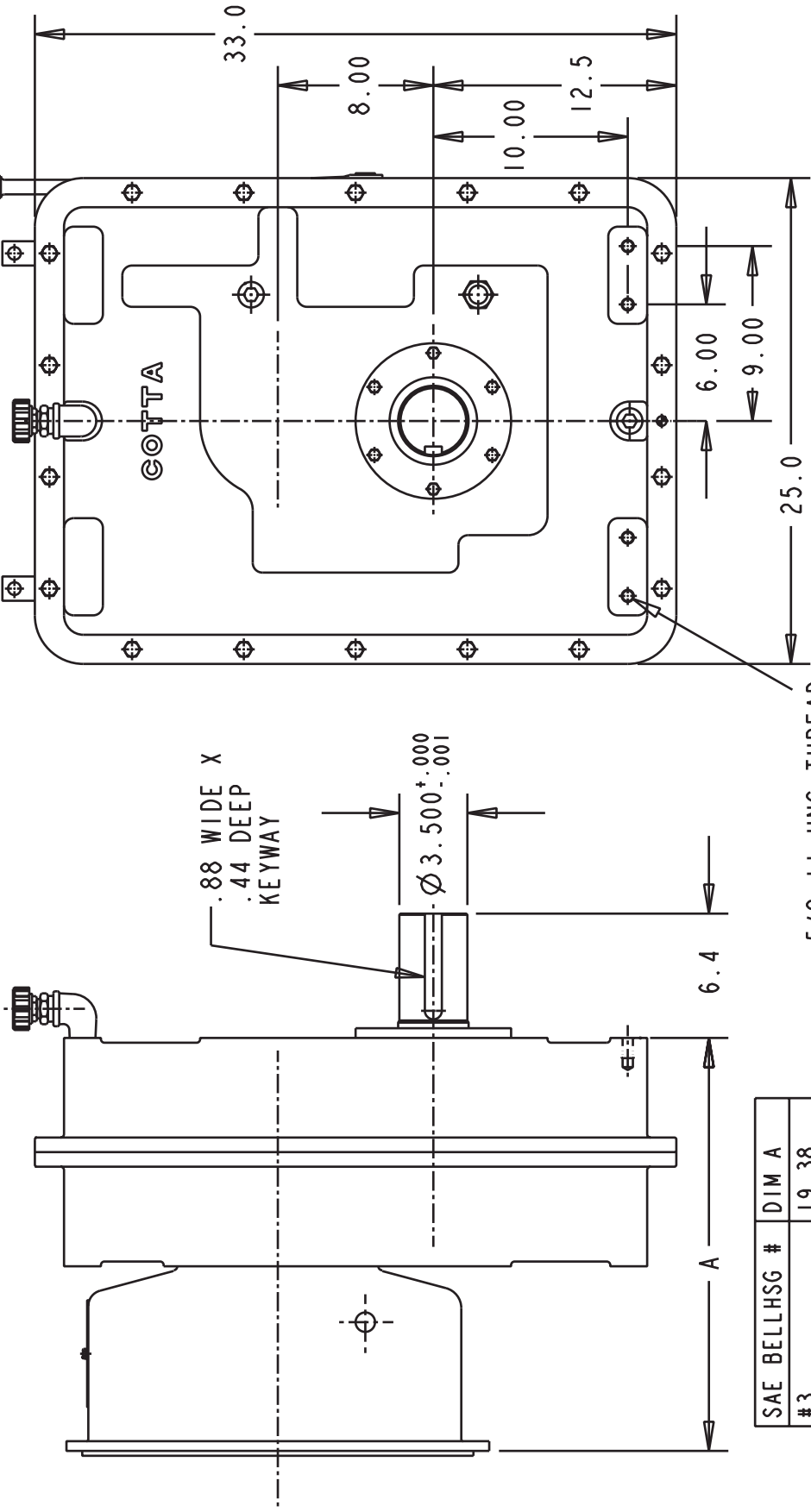
* Flywheel coupling selection requires Cotta technical review and approval.

** Some speed reducers output shafts are suitable for chain or belt side pull drives while others are not. Provide complete application details to Cotta for recommendations and approval.

*** Weight listed is an average. Actual weight can vary substantially with options such as SAE housing size and flywheel coupling choices.



This drawing shows general arrangement and approximate space claim. Do not design or lay out using this drawing. Use only certified drawings provided by Cotta Engineering.



SAE BELLHSG #	DIM A
#3	19.38
#2	19.38
#1	21.25
#1 (DEEP)	22.75

5/8-11 UNC THREAD
TYP (4)
FOR GEARBOX MOUNTING

SR3A DRAWING