

Product Description:

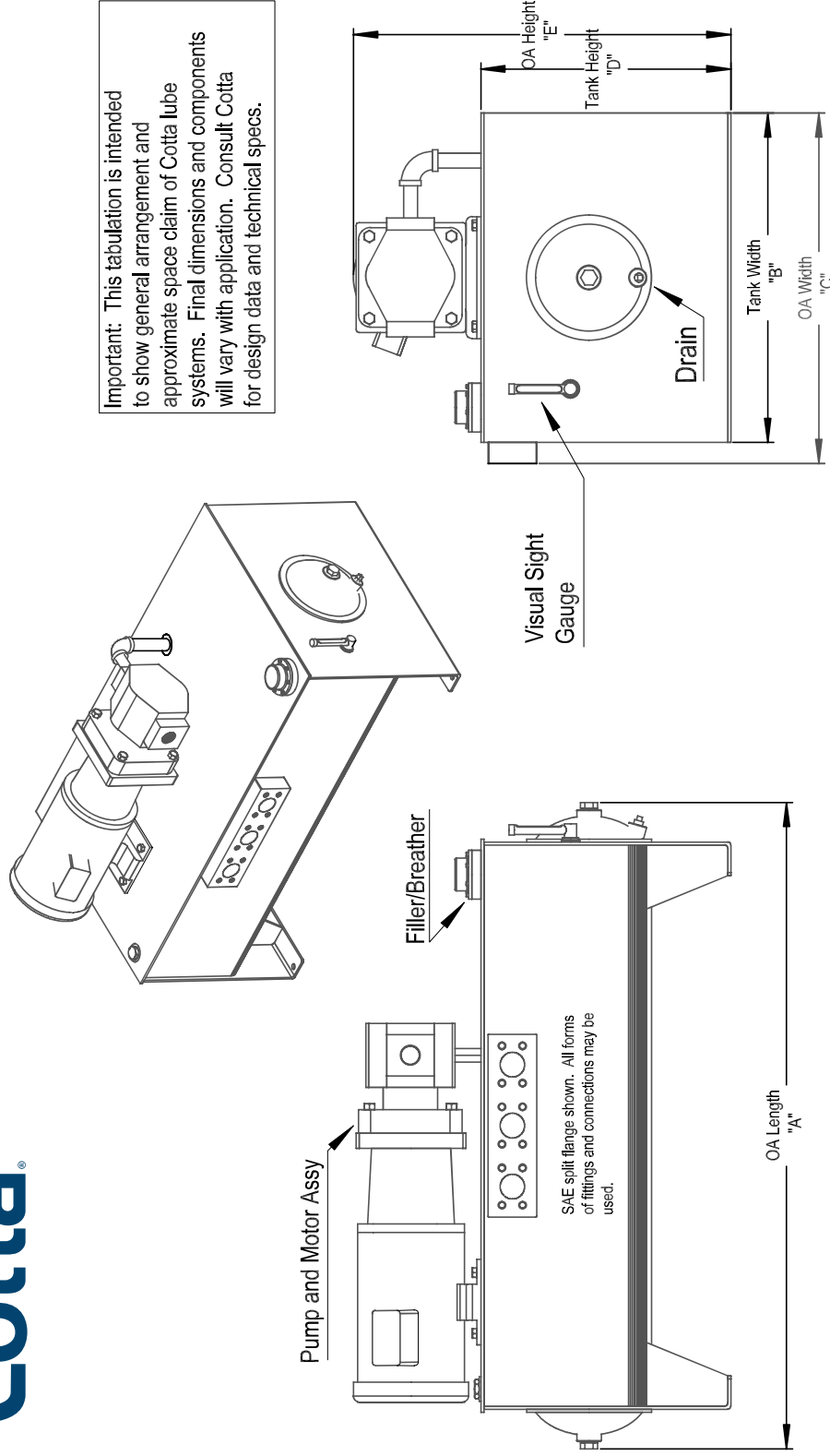
Cotta T series lube systems support the lube requirement of Cotta gearboxes that do not have sufficient internal reservoir capacity for standalone operation and are available in five sizes from 5 to 60 gallons tank capacity. These units are custom configured according to gearbox requirements for lubricant type, pressure, flow, and filtration. Some systems are unitized and shipped assembled. Non-unitized systems are shipped as sub-assemblies for customer completion.

CAPACITY:	T series lube stands are available as described by the number after the letter "T" indicating max tank capacity in gallons - not flow or working capacity. T5, T17, T20, T40, and T60.
PUMP:	Positive displacement single or multiple-section pumps are utilized. Multiple-sections pumps support ancillary functions such as labyrinth seal scavenge or charge pressure to additional test components.
MOTOR:	Standard industrial electric motors sized to meet pump power requirements. Discuss with Cotta your facility electrical requirements.
HEAT EXCHANGER:	Shell-and-tube oil/water heat exchangers are standard. Plate type oil/water heat exchangers and oil/air radiators are options for some T units.
TEMPERATURE CONTROL:	Liquid cooled units use a temperature sensing modulated valve to regulate temperature by controlling water flow to the heat exchanger. Radiators use calibrated temperature switches for fan actuation.
TEMPERATURE/PRESSURE SWITCH:	Lubricant over-temperature and under-pressure switches for integration into customer controls are optional.
LEVEL INDICATOR:	Glass plug sight gage or vertical glass tube are typical. Electronic level sensor is optional
FILTER:	Bypass type. Micron is application dependent.



Cotta[®]

This drawing shows general arrangement and approximate space claim. Do not design or lay out using this drawing. Use only certified drawings provided by Cotta Engineering.



Important: This tabulation is intended to show general arrangement and approximate space claim of Cotta lube systems. Final dimensions and components will vary with application. Consult Cotta for design data and technical specs.

Lube system dimensions in inches. All dimensions approximate.

Model	Overall Length "A"	Tank Width "B"	Overall Width "C"	Tank Height "D"	Overall Height "E"
T5	16.8	10.5	10.5	8.5	15.7
T17	27	14	31.25	16	23
T20	24	14.5	23.5	16.5	28.55
T40	41	24	29.7	21	30
T60	53	27	28.75	20.5	30

T-STYLE LUBE DRW.