



MODEL TR1397100

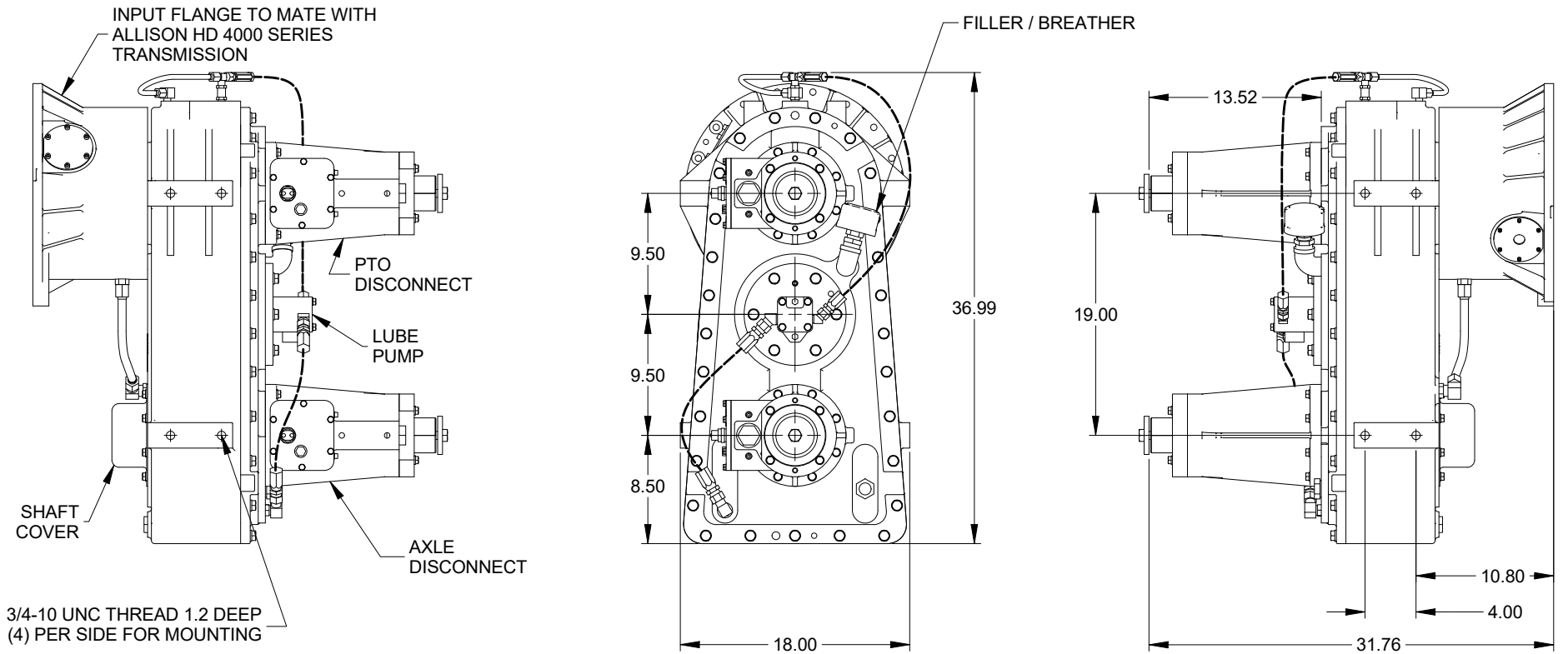
DIRECT MOUNT TRANSFER CASE

Product Description:

Model TR1397100 is a three shaft transfer case designed to direct mount via flange to Allison HD4000 Series transmissions. Three output stations are available for fitment with various options such as drive-line yokes, companion flanges, drive shafts, PTO disconnects, axle disconnects, pump pads, clutches, and similar ancillary equipment.

NOMINAL APPLICATION POWER:	600 HP
INPUT TORQUE CAPACITY:	1500 lb-ft. continuous through gears 12500 lb-ft continuous through PTO shaft 17500 lb-ft. momentary through PTO shaft
MAX INPUT SPEED:	3000 RPM
RATIO:	1:1 input to output
CENTER DISTANCE:	19 inches input to output
ROTATION:	Outputs rotate same direction as input
LUBRICATION:	Internal reservoir. Lube pump furnished.
SHIFTING:	Disconnects are air shift. Mechanical shift option available
OUTPUT SHAFT SIZE:	2.75-10 straight side spline
COMMON OPTIONS:	SAE and ISO yokes and flanges, disconnects, pump pads, clutches, stub shaft
WEIGHT:	Approximately 1400 lbs.

This drawing shows general arrangement and approximate space claim. Do not design, scale, or lay out using this drawing. Use only certified drawings provided by Cotta Engineering.



TR1397100 DRW.