



# MODEL TR1397100

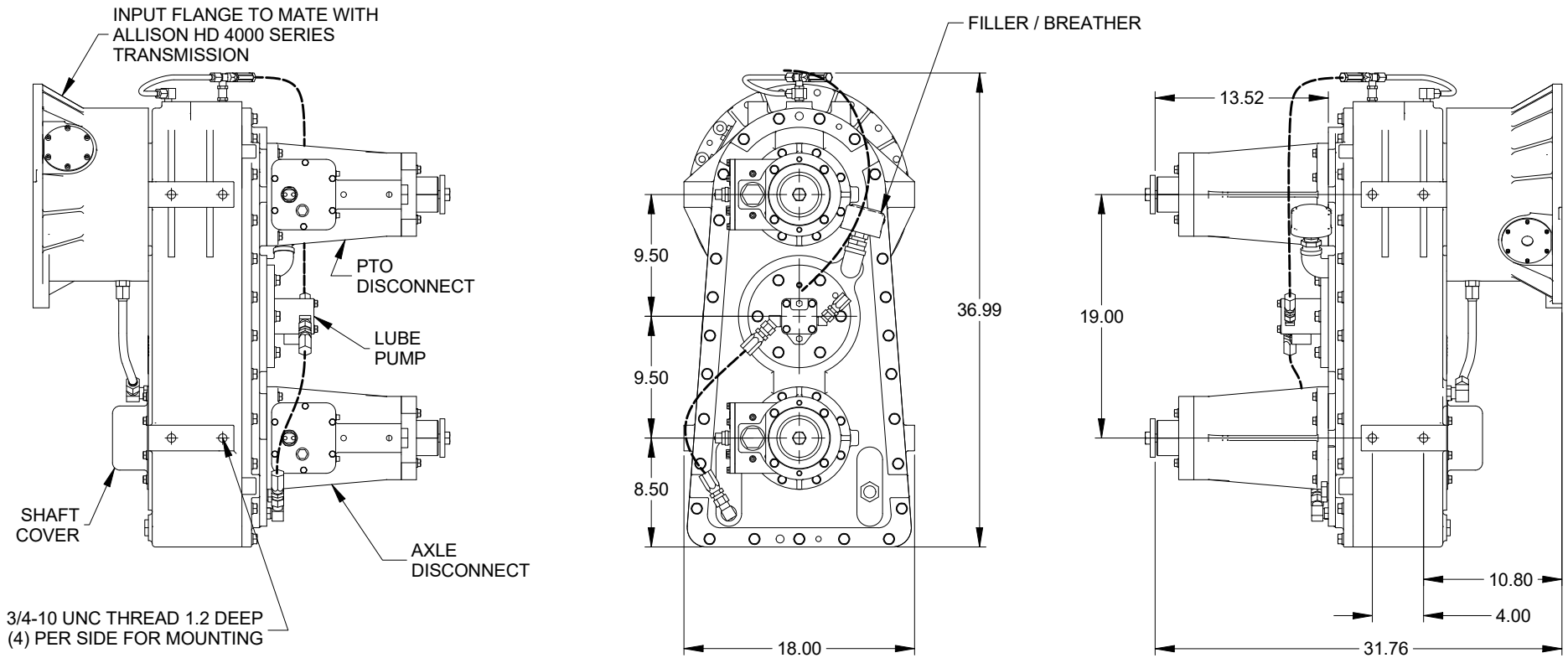
## DIRECT MOUNT TRANSFER CASE

### Product Description:

Model TR1397100 is a three shaft transfer case designed to direct mount via flange to Allison HD4000 Series transmissions. Three output stations are available for fitment with various options such as drive-line yokes, companion flanges, drive shafts, PTO disconnects, axle disconnects, pump pads, clutches, and similar ancillary equipment.

<b>NOMINAL APPLICATION POWER:</b>	600 HP
<b>INPUT TORQUE CAPACITY:</b>	1500 lb-ft. continuous through gears 12500 lb-ft continuous through PTO shaft 17500 lb-ft. momentary through PTO shaft
<b>MAX INPUT SPEED:</b>	3000 RPM
<b>RATIO:</b>	1:1 input to output
<b>CENTER DISTANCE:</b>	19 inches input to output
<b>ROTATION:</b>	Outputs rotate same direction as input
<b>LUBRICATION:</b>	Internal reservoir. Lube pump furnished.
<b>SHIFTING:</b>	Disconnects are air shift. Mechanical shift option available
<b>OUTPUT SHAFT SIZE:</b>	2.75-10 straight side spline
<b>COMMON OPTIONS:</b>	SAE and ISO yokes and flanges, disconnects, pump pads, clutches, stub shaft
<b>WEIGHT:</b>	Approximately 1400 lbs.

This drawing shows general arrangement and approximate space claim. Do not design, scale, or lay out using this drawing. Use only certified drawings provided by Cotta Engineering.



**TR1397100 DRW.**