

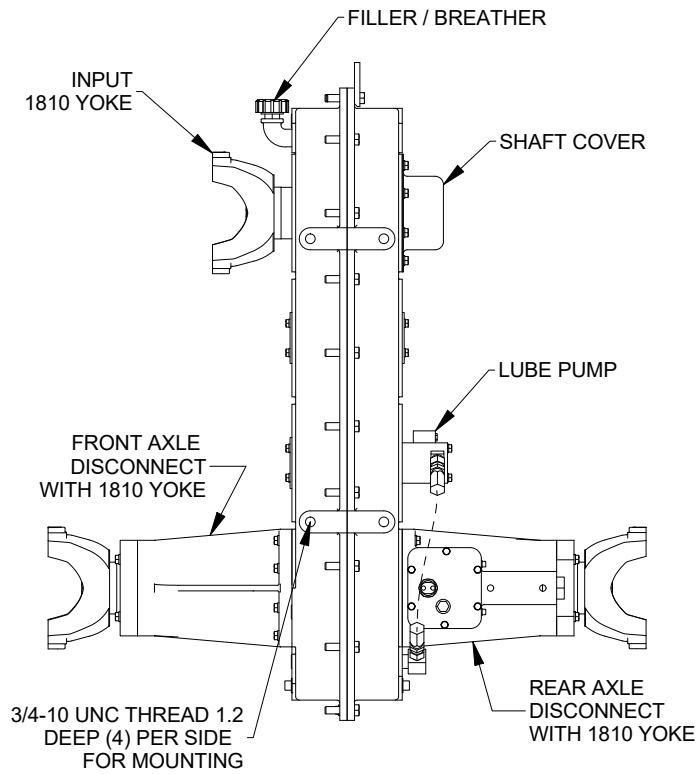


MODEL TR2217 TRANSFER CASE

Product Description:

Model TR2217 is a 4 shaft transfer case is designed for maximum application flexibility and provides up to six identical Input/output stations. Each station can be provided with 2.75 X 10 splined shaft for fitment to with yokes or flanges. A disconnect (de-clutch) can also be fitted to the I/O stations to provide power interruption. An optional line of disconnects feature SAE pump pad outputs. Depending upon option type and placement the TR2217 can be configured as a transfer case, drop box, PTO, or pump drive. Most options are available for field retrofit without having to return, remove, or disassemble the gearbox.

NOMINAL APPLICATION POWER:	600 HP
TORQUE CAPACITY:	2200 lb-ft. continuous through gears 6800 lb-ft. continuous through shaft 17000 lb-ft. momentary through shaft
MAX SPEED:	2800 RPM
RATIO:	1.15 overspeed, 1.15 reduction, 1.0, depending upon input location.
CENTER DISTANCE:	25.5 inches
ROTATION:	Two shafts rotate same as input, and two same as output.
LUBRICATION:	Internal reservoir. Lube pump furnished.
SHIFTING:	Disconnects are air shift. Mechanical shift option available
OUTPUT SHAFT SIZE:	2.75-10 straight side spline
COMMON OPTIONS:	SAE and ISO yokes and flanges, disconnects, pump pads, clutches, stub shaft
WEIGHT:	Approximately 715 lbs. w/o options



EXAMPLE CONFIGURATION USING FOUR OF THE SIX I/O STATIONS.

