



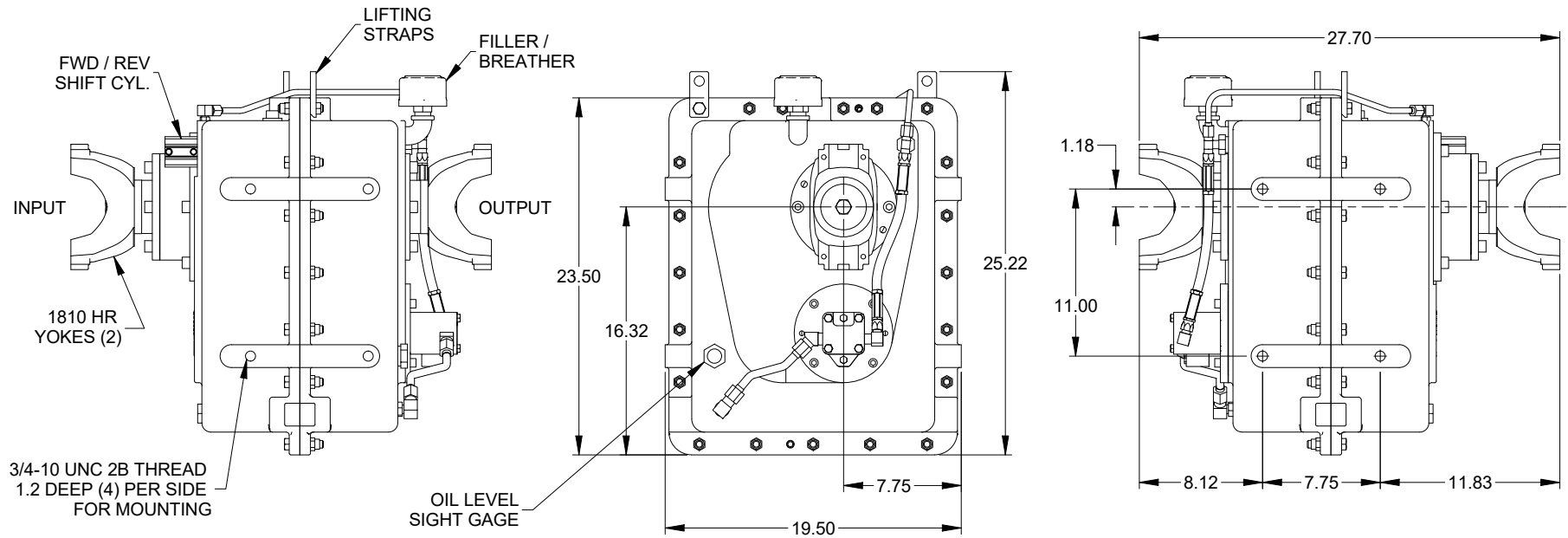
# MODEL TS2083 REVERSING GEARBOX

## Product Description:

Model TS2083 is a forward/reverse gearbox designed for road/rail vehicles. The gearbox is installed between the main transmission and drive axle and when shifted to reverse uses the main transmission to provide vehicle travel backward on rail at the same speeds as forward. In forward mode power is transmitted to the axle normally via the through shaft.

<b>NOMINAL APPLICATION POWER:</b>	450 HP
<b>TORQUE CAPACITY:</b>	Input: 1100 lb-ft. Fwd mode momentary torque 17000 lb-ft.
<b>MAX SPEED:</b>	2500 RPM input
<b>RATIO:</b>	1:1 fwd 1:1 rev
<b>LUBRICATION:</b>	Internal reservoir.
<b>SHIFTING:</b>	Air shift. Mechanical shift option available.
<b>OUTPUT SHAFT SIZE:</b>	2.75-10 straight side spline
<b>COMMON OPTIONS:</b>	SAE and ISO yokes and flanges
<b>WEIGHT:</b>	Approximately 700 lbs.

This drawing shows general arrangement and approximate space claim. Do not design, scale, or lay out using this drawing. Use only certified drawings provided by Cotta Engineering.



**TS2083 DRW.**